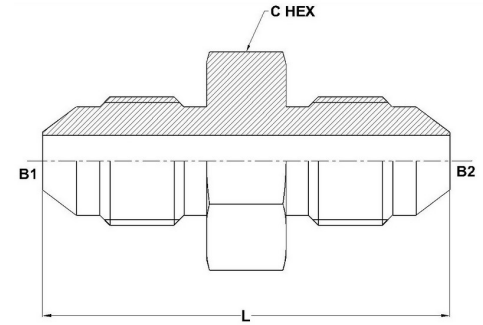
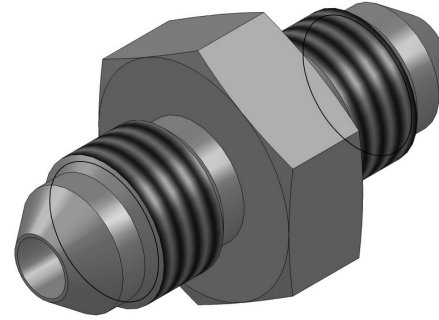




HYDROMATIK
connections par excellence

Tube Fittings & Adapters

MJ-MJ Straight Large Hex 2403-LH Series | SAE# 070119 / MS# 51519



PART NO. SIZE	B1 TUBE O.D.	B2 TUBE O.D.	B1 SAE 37	B2 SAE37	B1 DRILL	B2 DRILL	L LGTH	C HEX
2403-LH-02-02	1/8	1/8	5/16-24	5/16-24	0.062	0.062	1.17	0.562
2403-LH-03-02	3/16	1/8	3/8-24	5/16-24	0.125	0.062	1.20	0.625
2403-LH-03-03	3/16	3/16	3/8-24	3/8-24	0.125	0.125	1.23	0.625
2403-LH-04-02	1/4	1/8	7/16-20	5/16-24	0.172	0.062	1.27	0.688
2403-LH-04-03	1/4	3/16	7/16-20	3/8-24	0.172	0.125	1.30	0.688
2403-LH-04-04	1/4	1/4	7/16-20	7/16-20	0.172	0.172	1.37	0.688
2403-LH-05-04	5/16	1/4	1/2-20	7/16-20	0.234	0.172	1.37	0.750
2403-LH-05-05	5/16	5/16	1/2-20	1/2-20	0.234	0.234	1.37	0.750
2403-LH-06-04	3/8	1/4	9/16-18	7/16-20	0.297	0.172	1.40	0.812
2403-LH-06-05	3/8	5/16	9/16-18	1/2-20	0.297	0.234	1.40	0.812
2403-LH-06-06	3/8	3/8	9/16-18	9/16-18	0.297	0.297	1.41	0.812
2403-LH-08-04	1/2	1/4	3/4-16	7/16-20	0.391	0.172	1.51	1.000
2403-LH-08-05	1/2	5/16	3/4-16	1/2-20	0.391	0.234	1.51	1.000

2403-LH-08-06	1/2	3/8	3/4-16	9/16-18	0.391	0.297	1.52	1.000
2403-LH-08-08	1/2	1/2	3/4-16	3/4-16	0.391	0.391	1.62	1.000
2403-LH-10-04	5/8	1/4	7/8-14	7/16-20	0.484	0.172	1.67	1.125
2403-LH-10-06	5/8	3/8	7/8-14	9/16-18	0.484	0.297	1.68	1.125
2403-LH-10-08	5/8	1/2	7/8-14	3/4-16	0.484	0.391	1.78	1.125
2403-LH-10-10	5/8	5/8	7/8-14	7/8-14	0.484	0.484	1.88	1.125
2403-LH-12-04	3/4	1/4	1-1/16-12	7/16-20	0.609	0.172	1.85	1.375
2403-LH-12-05	3/4	5/16	1-1/16-12	1/2-20	0.609	0.234	1.85	1.375
2403-LH-12-06	3/4	3/8	1-1/16-12	9/16-18	0.609	0.297	1.85	1.375
2403-LH-12-08	3/4	1/2	1-1/16-12	3/4-16	0.609	0.391	1.95	1.375
2403-LH-12-10	3/4	5/8	1-1/16-12	7/8-14	0.609	0.484	2.05	1.375
2403-LH-12-12	3/4	3/4	1-1/16-12	1-1/16-12	0.609	0.609	2.16	1.375
2403-LH-14-14	7/8	7/8	1-3/16-12	1-3/16-12	0.719	0.719	2.21	1.500
2403-LH-16-04	1	1/4	1-5/16-12	7/16-20	0.844	0.172	1.89	1.625
2403-LH-16-08	1	1/2	1-5/16-12	3/4-16	0.844	0.391	2.00	1.625
2403-LH-16-10	1	5/8	1-5/16-12	7/8-14	0.844	0.484	2.10	1.625
2403-LH-16-12	1	3/4	1-5/16-12	1-1/16-12	0.844	0.609	2.20	1.625
2403-LH-16-16	1	1	1-5/16-12	1-5/16-12	0.844	0.844	2.25	1.625
2403-LH-20-04	1-1/4	1/4	1-5/8-12	7/16-20	1.078	0.172	2.02	1.875
2403-LH-20-10	1-1/4	5/8	1-5/8-12	7/8-14	1.078	0.484	2.23	1.875
2403-LH-20-12	1-1/4	3/4	1-5/8-12	1-1/16-12	1.078	0.609	2.34	1.875
2403-LH-20-16	1-1/4	1	1-5/8-12	1-5/16-12	1.078	0.844	2.38	1.875
2403-LH-20-20	1-1/4	1-1/4	1-5/8-12	1-5/8-12	1.078	1.078	2.43	1.875

2403-LH-24-16	1-1/2	1	1-7/8-12	1-5/16-12	1.312	0.844	2.58	2.125
2403-LH-24-20	1-1/2	1-1/4	1-7/8-12	1-5/8-12	1.312	1.078	2.62	2.125
2403-LH-24-24	1-1/2	1-1/2	1-7/8-12	1-7/8-12	1.312	1.312	2.75	2.125
2403-LH-32-32	2	2	2-1/2-12	2-1/2-12	1.781	1.781	3.40	2.750