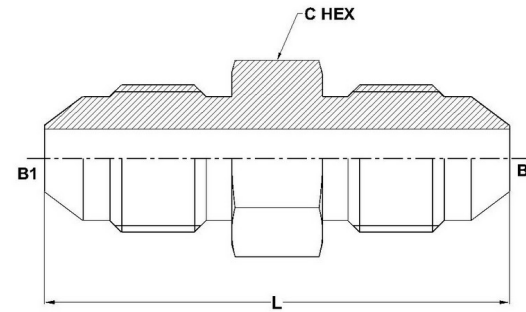
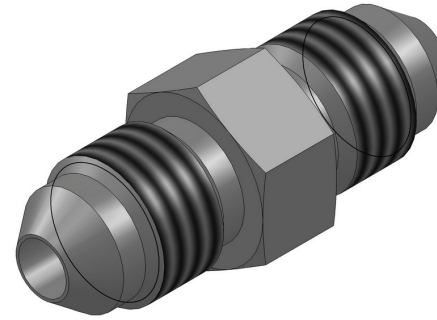




HYDROMATIK
connections par excellence

Tube Fittings & Adapters

MJ-MJ Straight 2403 Series | SAE# 070101 / MS# 51501



PART NO. SIZE	B1 TUBE O.D.	B2 TUBE O.D.	B1 SAE 37	B2 SAE37	C HEX	B1 DRILL	B2 DRILL	L LGTH
2403-02-02	1/8	1/8	5/16-24	5/16-24	0.438	0.062	0.062	1.17
2403-03-02	3/16	3/16	3/8-24	5/16-24	0.438	0.125	0.062	1.20
2403-03-03	3/16	3/16	3/8-24	3/8-24	0.438	0.125	0.125	1.23
2403-04-02	1/4	1/8	7/16-20	5/16-24	0.500	0.172	0.062	1.27
2403-04-03	1/4	3/16	7/16-20	3/8-24	0.500	0.172	0.125	1.30
2403-04-04	1/4	1/4	7/16-20	7/16-20	0.500	0.172	0.172	1.37
2403-05-04	5/16	1/4	1/2-20	7/16-20	0.562	0.234	0.172	1.37
2403-05-05	5/16	5/16	1/2-20	1/2-20	0.562	0.234	0.234	1.37
2403-06-04	3/8	1/4	9/16-18	7/16-20	0.625	0.297	0.172	1.40

2403-06-05	3/8	5/16	9/16-18	1/2-20	0.625	0.297	0.234	1.40
2403-06-06	3/8	3/8	9/16-18	9/16-18	0.625	0.297	0.297	1.41
2403-08-04	1/2	1/4	3/4-16	7/16-20	0.812	0.391	0.172	1.51
2403-08-05	1/2	5/16	3/4-16	1/2-20	0.812	0.391	0.234	1.51
2403-08-06	1/2	3/8	3/4-16	9/16-18	0.812	0.391	0.297	1.52
2403-08-08	1/2	1/2	3/4-16	3/4-16	0.812	0.391	0.391	1.62
2403-10-04	5/8	1/4	7/8-14	7/16-20	0.937	0.484	0.172	1.67
2403-10-05	5/8	5/16	7/8-14	1/2-20	0.937	0.484	0.234	1.67
2403-10-06	5/8	3/8	7/8-14	9/16-18	0.937	0.484	0.297	1.68
2403-10-08	5/8	1/2	7/8-14	3/4-16	0.937	0.484	0.391	1.78
2403-10-10	5/8	5/8	7/8-14	7/8-14	0.937	0.484	0.484	1.88
2403-12-04	3/4	1/4	1-1/16-12	7/16-20	1.125	0.609	0.172	1.85
2403-12-05	3/4	5/16	1-1/16-12	1/2-20	1.125	0.609	0.234	1.85
2403-12-06	3/4	3/8	1-1/16-12	9/16-18	1.125	0.609	0.297	1.85
2403-12-08	3/4	1/2	1-1/16-12	3/4-16	1.125	0.609	0.391	1.95
2403-12-10	3/4	5/8	1-1/16-12	7/8-14	1.125	0.609	0.484	2.05
2403-12-12	3/4	3/4	1-1/16-12	1-1/16-12	1.125	0.609	0.609	2.16
2403-14-12	7/8	3/4	1-3/16-12	1-1/16-12	1.250	0.719	0.609	2.18
2403-14-14	7/8	7/8	1-3/16-12	1-3/16-12	1.250	0.719	0.719	2.21
2403-16-06	1	3/8	1-1/16-12	9/16-18	1.375	0.844	0.297	1.89
2403-16-08	1	1/2	1-5/16-12	3/4-18	1.375	0.844	0.391	2.00
2403-16-10	1	5/8	1-5/16-12	7/8-14	1.375	0.844	0.484	2.10
2403-16-12	1	3/4	1-5/16-12	1-1/16-12	1.375	0.844	0.609	2.20

2403-16-14	1	7/8	1-5/16-12	1-3/16-12	1.375	0.844	0.719	2.23
2403-16-16	1	1	1-5/16-12	1-5/16-12	1.375	0.844	0.844	2.25
2403-20-12	1-1/4	3/4	1-5/8-12	1-1/16-12	1.688	1.078	0.609	2.34
2403-20-16	1-1/4	1	1-5/8-12	1-5/16-12	1.688	1.078	0.844	2.38
2403-20-20	1-1/4	1-1/4	1-5/8-12	1-5/8-12	1.688	1.078	1.078	2.43
2403-24-10	1-1/4	7/8	1-7/8-12	7/8-14	2.000	1.312	0.484	2.42
2403-24-12	1-1/2	3/4	1-7/8-12	1-1/16-12	2.000	1.312	0.609	2.53
2403-24-16	1-1/2	1	1-7/8-12	1-5/16-12	2.000	1.312	0.844	2.58
2403-24-20	1-1/2	1-1/4	1-7/8-12	1-5/8-12	2.000	1.312	1.078	2.62
2403-24-24	1-1/2	1-1/2	1-7/8-12	1-7/8-12	2.000	1.312	1.312	2.75
2403-32-12	2	3/4	2-1/2-12	1-1/16-12	2.625	1.781	0.609	2.93
2403-32-16	2	1	2-1/2-12	1-5/16-12	2.625	1.781	0.844	2.98
2403-32-20	2	1-1/4	2-1/2-12	1-5/16-12	2.625	1.781	1.078	3.02
2403-32-24	2	1-1/2	2-1/2-12	1-7/8-1/2	2.625	1.781	1.312	3.15
2403-32-32	2	2	2-1/2-12	2-1/2-12	2.625	1.781	1.781	3.40
2403-40-40	2-1/2	2-1/2	3-12	3-12	3.250	2.318	2.318	2.95
2403-48-48	3	3	3-1/2-12	3-1/2-12	3.750	2.818	2.818	3.40