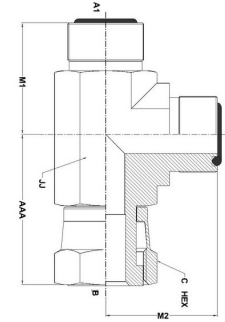
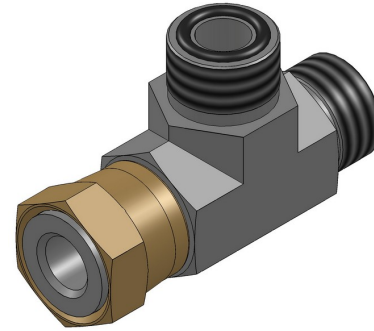




HYDROMATIK
connections par excellence

O-Ring Face Seal Fittings

MFS-FFSS-MFS Run Tee FS6602 Series | SAE# 520432



PART NO.SIZE	TUBE O.D.	A1 THREAD	B THREAD	A2 THREAD	A1 DRILL	B DRILL	A2 DRILL	M1 LGTH	AAA LGTH	M2 LGTH	C HEX	JJ FLATS
FS6602-04-04-04-FG	1/4	9/16-18	9/16-18	9/16-18	0.172	0.165	0.172	0.85	1.04	0.85	0.687	0.562
FS6602-06-06-04-FG	3/8	11/16-16	11/16-16	9/16-18	0.264	0.264	0.172	0.98	1.15	0.92	0.812	0.750
FS6602-06-06-06-FG	3/8	11/16-16	11/16-16	11/16-16	0.264	0.264	0.264	0.98	1.15	0.98	0.812	0.750
FS6602-06-08-06-FG	1/2	11/16-16	13/16-16	11/16-16	0.264	0.358	0.264	1.04	1.49	1.04	0.938	0.750
FS6602-06-08-08-FG	1/2	11/16-16	13/16-16	13/16-16	0.264	0.358	0.378	1.04	1.49	1.10	0.938	0.750
FS6602-08-08-06-FG	1/2	13/16-16	13/16-16	11/16-16	0.378	0.358	0.264	1.10	1.49	1.04	0.938	0.750
FS6602-08-08-08-FG	1/2	13/16-16	13/16-16	13/16-16	0.378	0.358	0.378	1.10	1.49	1.10	0.938	0.750
FS6602-10-10-10-FG	5/8	1-14	1-14	1-14	0.484	0.453	0.484	1.31	1.62	1.31	1.125	1.062
FS6602-12-12-12-FG	3/4	1-3/16-12	1-3/16-12	1-3/16-12	0.609	0.547	0.609	1.47	1.82	1.47	1.375	1.188
FS6602-16-16-16-FG	1	1-7/16-12	1-7/16-12	1-7/16-12	0.811	0.783	0.811	1.64	2.10	1.64	1.625	1.438
FS6602-20-20-20-FG	1-1/4	1-11/16-12	1-11/16-12	1-11/16-12	1.024	1.024	1.024	1.76	2.29	1.76	1.875	1.625
FS6602-24-24-24-FG	1-1/2	2-12	2-12	2-12	1.260	1.260	1.260	1.92	2.41	1.92	2.250	1.875