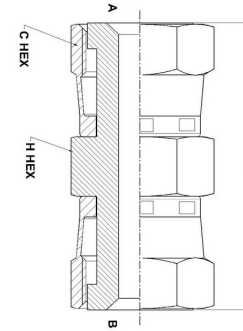
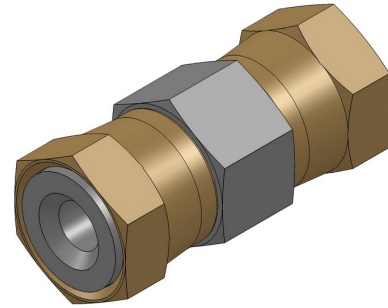




HYDROMATIK
connections par excellence

O-Ring Face Seal Fittings

FFSS-FFSS Straight FS6565 Series |



PART NO.SIZE	TUBE O.D.	A THREAD	B THREAD	A DRILL	B DRILL	L LGTH	C HEX	H HEX
FS6565-04-04	1/4	9/16-18	9/16-18	0.165	0.165	1.59	0.687	0.625
FS6565-06-06	3/8	11/16-16	11/16-16	0.264	0.264	1.77	0.812	0.750
FS6565-08-08	1/2	13/16-16	13/16-16	0.358	0.358	2.12	0.938	0.875
FS6565-10-10	5/8	1-14	1-14	0.453	0.453	2.42	1.125	1.062
FS6565-12-12	3/4	1-3/16-12	1-3/16-12	0.547	0.547	2.74	1.375	1.250
FS6565-16-16	1	1-7/16-12	1-7/16-12	0.783	0.783	2.95	1.625	1.500