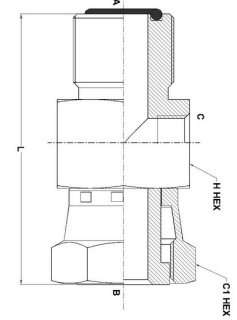
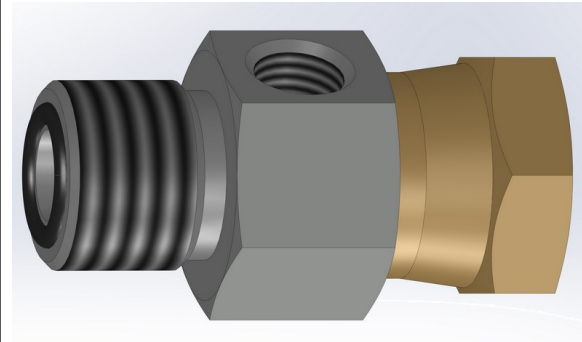




HYDROMATIK
connections par excellence

O-Ring Face Seal Fittings

MFS-FFSS-FORB Straight FS6564 Series |



PART NO.SIZE	TUBE O.D.	A THREAD	B THREAD	C SAE ORB	A DRILL	B DRILL	L LGTH	C1 HEX	H HEX
FS6564-04-04-04	1/4	9/16-18	9/16-18	7/16-20	0.172	0.165	1.83	0.687	1.062
FS6564-06-06-04	3/8	11/16-16	11/16-16	7/16-20	0.264	0.264	1.95	0.812	1.062
FS6564-08-08-04	1/2	13/16-16	13/16-16	7/16-20	0.378	0.358	2.18	0.938	1.062
FS6564-10-10-04	5/8	1-14	1-14	7/16-20	0.484	0.453	2.40	1.125	1.125
FS6564-12-12-04	3/4	1-3/16-12	1-3/16-12	7/16-20	0.609	0.547	2.59	1.375	1.250
FS6564-16-16-04	1	1-7/16-12	1-7/16-12	7/16-20	0.811	0.783	2.85	1.625	1.500
FS6564-20-20-04	1-1/4	1-11/16-12	1-11/16-12	7/16-20	1.024	1.024	3.07	1.875	1.750
FS6564-24-24-04	1-1/2	2-12	2-12	7/16-20	1.260	1.260	3.22	2.250	2.125