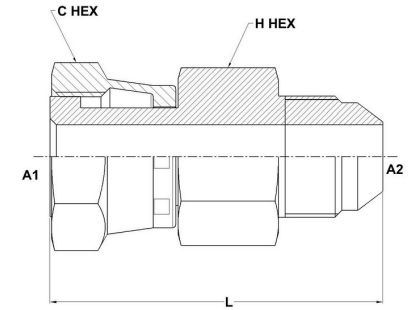
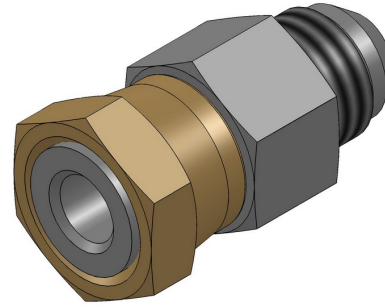




HYDROMATIK
connections par excellence

O-Ring Face Seal Fittings

FFSS-MJ Straight FS6504 Series |



PART NO.SIZE	A1 TUBE O.D.	A2 TUBE O.D.	A1 THREAD	A2 THREAD	A1 DRILL	A2 DRILL	L LGTH	C HEX	H HEX
FS6504-04-04	1/4	1/4	9/16-18	7/16-20	0.165	0.172	1.580	0.687	0.625
FS6504-06-04	3/8	1/4	11/16-16	7/16-20	0.264	0.172	1.660	0.812	0.750
FS6504-06-06	3/8	3/8	11/16-16	9/16-18	0.264	0.297	1.666	0.812	0.750
FS6504-08-04	1/2	1/4	13/16-16	7/16-20	0.358	0.172	1.940	0.938	0.875
FS6504-08-08	1/2	1/2	13/16-16	3/4-16	0.358	0.391	2.047	0.938	0.875
FS6504-08-12	1/2	3/4	13/16-16	1-1/16-12	0.358	0.609	2.254	0.938	1.125
FS6504-10-04	5/8	1/4	1-14	7/16-20	0.453	0.172	2.040	1.125	1.062
FS6504-10-10	5/8	5/8	1-14	7/8-14	0.453	0.484	2.248	1.125	1.062
FS6504-10-12	5/8	3/4	1-14	1-1/16-12	0.453	0.609	2.354	1.125	1.125
FS6504-12-04	3/4	1/4	1-3/16-12	7/16-20	0.547	0.172	2.170	1.375	1.250
FS6504-12-12	3/4	3/4	1-3/16-12	1-1/16-12	0.547	0.609	2.484	1.375	1.250
FS6504-16-04	1	1/4	1-7/16-12	7/16-20	0.783	0.172	2.480	1.625	1.500
FS6504-16-16	1	1	1-7/16-12	1-5/16-12	0.783	0.844	2.841	1.625	1.500
FS6504-20-20	1-1/4	1-1/4	1-11/16-12	1-5/8-12	1.024	1.078	2.888	1.875	1.875

