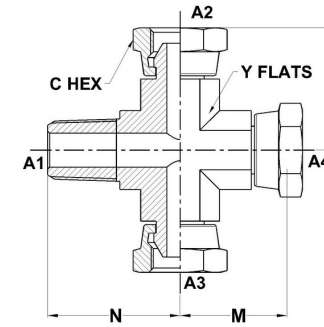
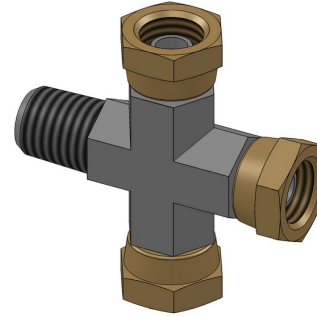




HYDROMATIK
connections par excellence

Tube Fittings & Adapters

MPS-FPS-FPS-FPS Cross 1604 Series |



PART NO. SIZE	A1 NPTF	A2 NPSM	A3 NPSM	A4 NPSM	A1 DRILL	A2 DRILL	A3 DRILL	A4 DRILL	N LGTH	L LGTH	M LGTH	C HEX	Y FLATS
1604-04-04-04-FG	1/4-18	1/4-18	1/4-18	1/4-18	0.281	0.220	0.220	0.220	1.09	1.07	0.88	0.688	0.562