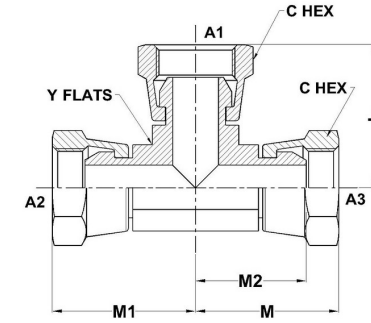
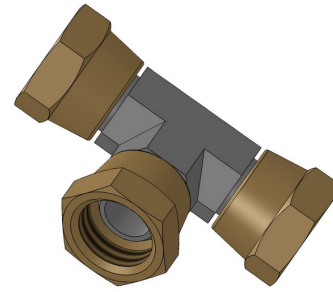




HYDROMATIK
connections par excellence

Tube Fittings & Adapters

FPS-FPS-FPS Tee 1603 Series |



PART NO. SIZE	A1.A2 NPSM	A3 NPSM	A1.A2 DRILL	A3 DRILL	L LGTH	M1 LGTH	M2 LGTH	M LGTH	C HEX	C1 HEX	Y FLATS
1603-02-02-02-FG	1/8-27	1/8-27	0.150	0.150	0.84	0.70	0.70	0.84	0.562	0.562	0.438
1603-04-04-04-FG	1/4-18	1/4-18	0.220	0.220	1.07	0.88	0.88	1.07	0.688	0.688	0.562
1603-04-04-06-FG	1/4-18	3/8-18	0.220	0.340	1.16	0.99	0.97	1.20	0.688	0.875	0.750
1603-06-06-06-FG	3/8-18	3/8-18	0.340	0.340	1.20	0.99	0.99	1.20	0.875	0.875	0.750
1603-06-06-08-FG	3/8-18	1/2-14	0.340	0.460	1.25	1.04	1.11	1.39	0.875	1.000	0.750
1603-08-08-08-FG	1/2-14	1/2-14	0.460	0.460	1.39	1.11	1.11	1.39	1.000	1.000	0.750
1603-12-12-12-FG	3/4-14	3/4-14	0.635	0.635	1.65	1.30	1.30	1.65	1.250	1.250	1.062
1603-16-16-16-FG	1-11 1/2	1-11 1/2	0.831	0.831	1.89	1.54	1.54	1.89	1.500	1.500	1.312
1603-20-20-20-FG	1-1/4-11 1/2	1-1/4-11 1/2	1.087	1.087	2.15	1.73	1.73	2.15	1.875	1.875	1.625