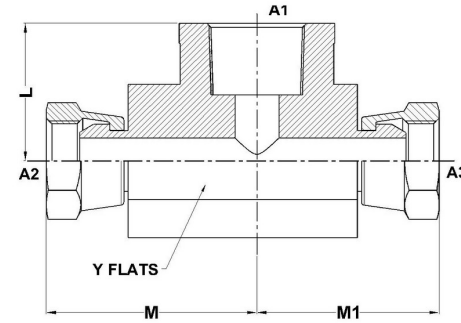
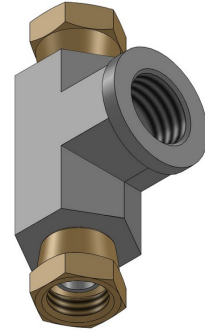




**HYDROMATIK**  
connections par excellence

## Tube Fittings & Adapters

### FP-FPS-FPS Tee 1602 Series |



PART NO SIZE	A1 NPTF	A2 NPSM	A3 NPSM	A2 DRILL	A3 DRILL	L LGTH	M1 LGTH	M LGTH	C HEX	Y FLATS
1602-02-02-02-FG	1/8-27	1/8-27	1/8-27	0.150	0.150	0.66	0.80	0.94	0.562	0.562
1602-04-04-04-FG	1/4-18	1/4-18	1/4-18	0.220	0.220	0.88	0.99	1.18	0.688	0.750
1602-06-04-04-FG	3/8-18	1/4-18	1/4-18	0.220	0.220	1.02	1.04	1.23	0.875	0.875
1602-06-06-06-FG	3/8-18	3/8-18	3/8-18	0.340	0.340	1.02	1.06	1.27	0.875	0.875
1602-08-06-06-FG	1/2-14	3/8-18	3/8-18	0.340	0.340	1.23	1.17	1.38	1.000	1.062
1602-08-08-08-FG	1/2-14	1/2-14	1/2-14	0.460	0.460	1.23	1.24	1.52	1.000	1.062
1602-08-12-12-FG	1/2-14	3/4-14	3/4-14	0.635	0.635	1.23	1.24	1.59	1.000	1.062
1602-12-08-08-FG	3/4-14	1/2-14	1/2-14	0.460	0.460	1.36	1.47	1.75	1.250	1.312
1602-12-12-12-FG	3/4-14	3/4-14	3/4-14	0.635	0.635	1.36	1.47	1.82	1.250	1.312
1602-16-12-12-FG	1-11 1/2	3/4-14	3/4-14	0.635	0.635	1.62	1.62	1.97	1.500	1.625
1602-16-16-16-FG	1-11 1/2	1-11 1/2	1-11 1/2	0.831	0.831	1.62	1.73	2.08	1.500	1.625
1602-20-20-20-FG	1-1/4-11 1/2	1-1/4-11 1/2	1-1/4-11 1/2	1.087	1.087	1.70	1.83	2.25	1.875	1.875