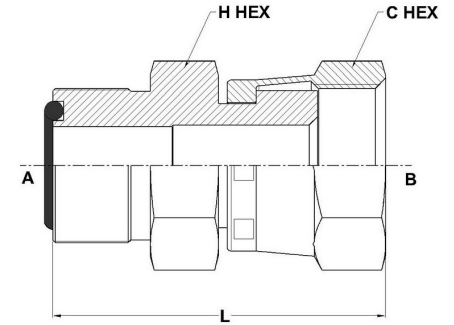
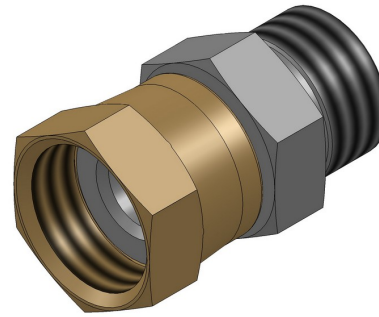




**HYDROMATIK**  
connections par excellence

## O-Ring Face Seal Fittings

### MFS-FJS Straight FS6402 Series |



PART NO.SIZE	TUBE O.D.	A THREAD	B THREAD	A DRILL	B DRILL	L LGTH	C HEX	H HEX
FS6402-04-04-O	1/4	9/16-18	7/16-20	0.172	0.172	1.40	0.562	0.625
FS6402-06-06-O	3/8	11/16-16	9/16-18	0.264	0.297	1.58	0.688	0.750
FS6402-08-08-O	1/2	13/16-16	3/4-16	0.378	0.391	1.79	0.875	0.875
FS6402-10-10-O	5/8	1-14	7/8-14	0.484	0.484	2.08	1.000	1.062
FS6402-12-12-O	3/4	1-3/16-12	1-1/16-12	0.609	0.609	2.30	1.250	1.250
FS6402-16-16-O	1	1-7/16-12	1-5/16-12	0.811	0.844	2.45	1.500	1.500
FS6402-20-20-O	1-1/4	1-11/16-12	1-5/8-12	1.024	1.078	2.60	2.000	1.750