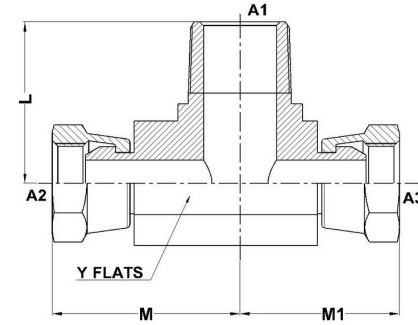
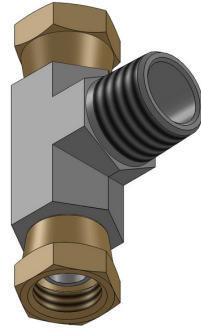




HYDROMATIK
connections par excellence

Tube Fittings & Adapters

MP-FPS-FPS Tee 1601 Series |



PART NO. SIZE	A1 NPTF	A2 NPSM	A3 NPSM	A1 DRILL	A2 DRILL	A3 DRILL	L LGTH	M1 LGTH	M LGTH	C HEX	Y FLATS
1601-02-02-02-FG	1/8-27	1/8-27	1/8-27	0.188	0.150	0.150	0.72	0.70	0.84	0.562	0.438
1601-02-04-04-FG	1/8-27	1/4-18	1/4-18	0.188	0.220	0.220	0.90	0.88	1.07	0.562	0.562
1601-04-04-04-FG	1/4-18	1/4-18	1/4-18	0.281	0.220	0.220	1.09	0.88	1.07	0.688	0.562
1601-04-06-06-FG	1/4-18	3/8-18	3/8-18	0.281	0.340	0.340	1.22	0.99	1.20	0.688	0.750
1601-06-04-04-FG	3/8-18	1/4-18	1/4-18	0.406	0.220	0.220	1.22	0.99	1.18	0.875	0.750
1601-06-06-06-FG	3/8-18	3/8-18	3/8-18	0.406	0.340	0.340	1.22	0.99	1.20	0.875	0.750
1601-08-04-04-FG	1/2-14	1/4-18	1/4-18	0.531	0.220	0.220	1.47	1.02	1.21	1.000	0.875
1601-08-06-06-FG	1/2-14	3/8-18	3/8-18	0.531	0.340	0.340	1.47	1.04	1.25	1.000	0.875
1601-08-08-08-FG	1/2-14	1/2-14	1/2-14	0.531	0.460	0.460	1.47	1.11	1.39	1.000	0.875
1601-12-08-08-FG	3/4-14	1/2-14	1/2-14	0.719	0.460	0.460	1.59	1.24	1.52	1.250	1.062
1601-12-12-12-FG	3/4-14	3/4-14	3/4-14	0.719	0.635	0.635	1.59	1.30	1.65	1.250	1.062
1601-12-16-16-FG	3/4-14	1-11 1/2	1-11 1/2	0.719	0.831	0.831	1.78	1.54	1.89	1.250	1.312
1601-16-12-12-FG	1-11 1/2	3/4-14	3/4-14	0.938	0.635	0.635	1.97	1.43	1.78	1.500	1.312
1601-16-16-16-FG	1-11 1/2	1-11 1/2	1-11 1/2	0.938	0.831	0.831	1.97	1.54	1.89	1.500	1.312

1601-20-20-20-FG	1-1/4-11 1/2	1-1/4-11 1/2	1-1/4-11 1/2	1.250	1.087	1.087	2.38	1.73	2.15	1.875	1.625
1601-24-24-24-FG	1-1/2-11 1/2	1-1/2-11 1/2	1-1/2-11 1/2	1.500	1.317	1.317	2.64	1.89	2.31	2.125	1.875