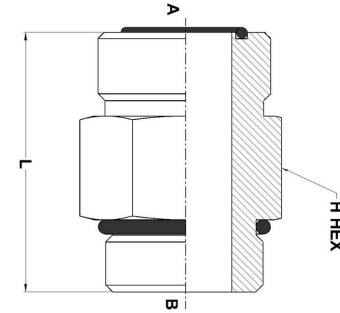




**HYDROMATIK**  
connections par excellence

## O-Ring Face Seal Fittings

**MFS-MORB Straight** FS6400-O Series | SAE# 520120



PART NO.SIZE	TUBE O.D.	A THREAD	B THREAD	A DRILL	B DRILL	L LGTH	H HEX
FS6400-04-03-O	1/4	9/16-18	3/8-24	0.172	0.118	1.074	0.625
FS6400-04-04-O	1/4	9/16-18	7/16-20	0.172	0.172	1.133	0.625
FS6400-04-05-O	1/4	9/16-18	1/2-20	0.172	0.236	1.163	0.750
FS6400-04-06-O	1/4	9/16-18	9/16-18	0.172	0.264	1.202	0.750
FS6400-04-08-O	1/4	9/16-18	3/4-16	0.172	0.378	1.321	0.875
FS6400-04-10-O	1/4	9/16-18	7/8-14	0.172	0.484	1.480	1.062
FS6400-04-12-O	1/4	9/16-18	1-1/16-12	0.172	0.609	1.638	1.250
FS6400-06-03-O	3/8	11/16-16	3/8-24	0.264	0.118	1.284	0.750
FS6400-06-04-O	3/8	11/16-16	7/16-20	0.264	0.172	1.343	0.750
FS6400-06-05-O	3/8	11/16-16	1/2-20	0.264	0.236	1.213	0.750
FS6400-06-06-O	3/8	11/16-16	9/16-18	0.264	0.264	1.252	0.750
FS6400-06-08-O	3/8	11/16-16	3/4-16	0.264	0.378	1.381	0.875
FS6400-06-10-O	3/8	11/16-16	7/8-14	0.264	0.484	1.530	1.062
FS6400-06-12-O	3/8	11/16-16	1-1/16-12	0.264	0.609	1.688	1.250
FS6400-06-16-O	3/8	11/16-16	1-5/16-12	0.264	0.811	1.728	1.500

FS6400-08-04-O	1/2	13/16-16	7/16-20	0.378	0.172	1.433	0.875
FS6400-08-06-O	1/2	13/16-16	9/16-18	0.378	0.264	1.472	0.875
FS6400-08-08-O	1/2	13/16-16	3/4-16	0.378	0.378	1.441	0.875
FS6400-08-10-O	1/2	13/16-16	7/8-14	0.378	0.484	1.590	1.062
FS6400-08-12-O	1/2	13/16-16	1-1/16-12	0.378	0.609	1.748	1.250
FS6400-08-16-O	1/2	13/16-16	1-5/16-12	0.378	0.811	1.788	1.500
FS6400-10-06-O	5/8	1-14	9/16-18	0.484	0.264	1.642	1.062
FS6400-10-08-O	5/8	1-14	3/4-16	0.484	0.378	1.781	1.062
FS6400-10-10-O	5/8	1-14	7/8-14	0.484	0.484	1.700	1.062
FS6400-10-12-O	5/8	1-14	1-1/16-12	0.484	0.609	1.858	1.250
FS6400-12-06-O	3/4	1-3/16-12	9/16-18	0.609	0.264	1.772	1.250
FS6400-12-08-O	3/4	1-3/16-12	3/4-16	0.609	0.378	1.911	1.250
FS6400-12-10-O	3/4	1-3/16-12	7/8-14	0.609	0.484	1.990	1.250
FS6400-12-12-O	3/4	1-3/16-12	1-1/16-12	0.609	0.609	1.918	1.250
FS6400-12-16-O	3/4	1-3/16-12	1-5/16-12	0.609	0.811	1.958	1.500
FS6400-12-20-O	3/4	1-3/16-12	1-5/8-12	0.609	1.024	2.038	1.875
FS6400-16-08-O	1	1-7/16-12	3/4-16	0.811	0.378	1.961	1.500
FS6400-16-10-O	1	1-7/16-12	7/8-14	0.811	0.484	2.040	1.500
FS6400-16-12-O	1	1-7/16-12	1-1/16-12	0.811	0.609	2.138	1.500
FS6400-16-16-O	1	1-7/16-12	1-5/16-12	0.811	0.811	1.978	1.500
FS6400-16-20-O	1	1-7/16-12	1-5/8-12	0.811	1.024	2.058	1.875
FS6400-20-16-O	1-1/4	1-11/16-12	1-5/16-12	1.024	0.811	2.278	1.750
FS6400-20-20-O	1-1/4	1-11/16-12	1-5/8-12	1.024	1.024	2.058	1.875

FS6400-20-24-O	1-1/4	1-11/16-12	1-7/8-12	1.024	1.260	2.128	2.125
FS6400-24-20-O	1-1/2	2-12	1-5/8-12	1.260	1.024	2.348	2.125
FS6400-24-24-O	1-1/2	2-12	1-7/8-12	1.260	1.260	2.128	2.125
FS6400-32-32-O	2	2-1/2-12	2-1/2-12	1.772	1.578	2.313	2.750