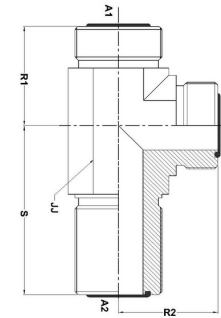
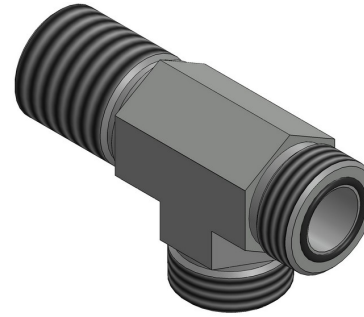




**HYDROMATIK**  
connections par excellence

## O-Ring Face Seal Fittings

**MFS-MFS-MFS Bulkhead Run Tee** FS2704 Series | SAE#  
520201



PART NO.SIZE	TUBE O.D.	A1 THREAD	A2 THREAD	A3 THREAD	A1 DRILL	A2 DRILL	A3 DRILL	R1 LGTH	S LGTH	R2 LGTH	JJ FLATS
FS2704-04-04-04-FG	1/4	9/16-18	9/16-18	9/16-18	0.172	0.172	0.172	0.89	1.85	0.89	0.562
FS2704-06-06-06-FG	3/8	11/16-16	11/16-16	11/16-16	0.264	0.264	0.264	1.02	2.05	1.02	0.750
FS2704-08-08-08-FG	1/2	13/16-16	13/16-16	13/16-16	0.378	0.378	0.378	1.14	2.18	1.14	0.750
FS2704-10-10-10-FG	5/8	1-14	1-14	1-14	0.484	0.484	0.484	1.36	2.48	1.36	1.062
FS2704-12-12-12-FG	3/4	1-3/16-12	1-3/16-12	1-3/16-12	0.609	0.609	0.609	1.52	2.65	1.52	1.188
FS2704-16-16-16-FG	1	1-7/16-12	1-7/16-12	1-7/16-12	0.811	0.811	0.811	1.67	2.80	1.67	1.438
FS2704-20-20-20-FG	1-1/4	1-11/16-12	1-11/16-12	1-11/16-12	1.024	1.024	1.024	1.79	2.97	1.79	1.625

\*Locknut style available. Use part number FS2704-LN-(size)