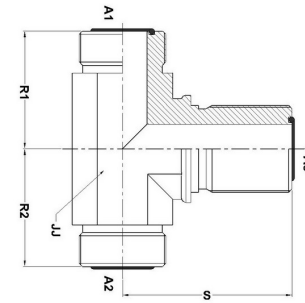




**HYDROMATIK**  
connections par excellence

## O-Ring Face Seal Fittings

### MFS-MFS-MFS Bulkhead Tee FS2703 Series |



PART NO.SIZE	TUBE O.D.	A1 THREAD	A2 THREAD	A3 THREAD	A1 DRILL	A2 DRILL	A3 DRILL	R1 LGTH	R2 LGTH	S LGTH	JJ FLATS
FS2703-04-04-04-FG	1/4	9/16-18	9/16-18	9/16-18	0.172	0.172	0.172	0.89	0.89	1.85	0.562
FS2703-06-06-06-FG	3/8	11/16-16	11/16-16	11/16-16	0.264	0.264	0.264	1.02	1.02	2.05	0.750
FS2703-08-08-08-FG	1/2	13/16-16	13/16-16	13/16-16	0.378	0.378	0.378	1.14	1.14	2.18	0.750
FS2703-12-12-12-FG	5/8	1-3/16-12	1-3/16-12	1-3/16-12	0.609	0.609	0.609	1.52	1.52	2.65	1.188
FS2703-16-16-16-FG	1	1-7/16-12	1-7/16-12	1-7/16-12	0.811	0.811	0.811	1.67	1.67	2.80	1.438

\*Locknut style available. Use part number FS2703-LN-(size)