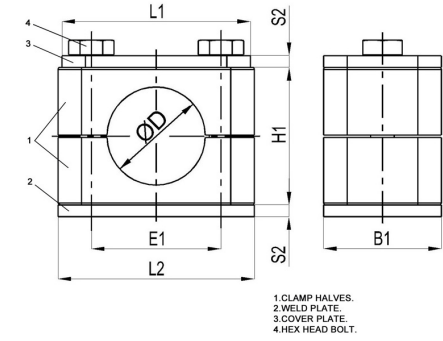
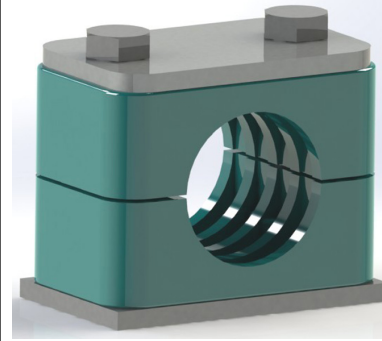




HYDROMATIK
connections par excellence

Pipe Clamps

PCS - PIPE CLAMPS(LIGHT SERIES) LIGHT SERIES |



ORDER CODE	GROUP	TUBE OD MM Ã~D	TUBE NB	TUBE OD INCHES Ã~D	DIMENSION B1	DIMENSION E1	DIMENSION H1	DIMENSION L1	DIMENSION L2	DIMENSION S2	HEX HEAD BOLT
PCS 6	1	6			30	20	27	37	36	3	M6X30
PCS 6.4	1	6.4		1/4	30	20	27	37	36	3	M6X30
PCS 8	1	8		5/16	30	20	27	37	36	3	M6X30
PCS 9.5	1	9.5		3/8	30	20	27	37	36	3	M6X30
PCS 10	1	10	G1/8		30	20	27	37	36	3	M6X30
PCS 12	1	12			30	20	27	37	36	3	M6X30
PCS 12.7	2	12.7		1/2	30	26	33	42	42	3	M6X35
PCS 13.5	2	13.5	G1/4		30	26	33	42	42	3	M6X35
PCS 14	2	14			30	26	33	42	42	3	M6X35
PCS 15	2	15			30	26	33	42	42	3	M6X35
PCS 16	2	16		5/8	30	26	33	42	42	3	M6X35
PCS 17.2	2	17.2	G3/8		30	26	33	42	42	3	M6X35
PCS18	2	18			30	26	33	42	42	3	M6X35

PCS 19	3	19		3/4	30	33	35	50	50	3	M6X40
PCS 20	3	20			30	33	35	50	50	3	M6X40
PCS 21.3	3	21.3	G1/2		30	33	35	50	50	3	M6X40
PCS 22	3	22			30	33	35	50	50	3	M6X40
PCS 23	3	23			30	33	35	50	50	3	M6X40
PCS 25	3	25		1	30	33	35	50	50	3	M6X40
PCS 25.4	3	25.4			30	33	35	50	50	3	M6X40
PCS 26.9	4	26.9	G3/4		30	40	42	59	60	3	M6X45
PCS 28	4	28			30	40	42	59	60	3	M6X45
PCS 30	4	30			30	40	42	59	60	3	M6X45
PCS 32	5	32		1-1/4	30	52	58	71	71	3	M6X60
PCS 33.7	5	33.7	G1		30	52	58	71	71	3	M6X60
PCS 35	5	35			30	52	58	71	71	3	M6X60
PCS 38	5	38		1-1/2	30	52	58	71	71	3	M6X60
PCS 40	5	40			30	52	58	71	71	3	M6X60
PCS 42	5	42	G1-1/4		30	52	58	71	71	3	M6X60
PCS 44.5	6	44.5		1-3/4	30	66	66	86	88	3	M6X70
PCS 48.3	6	48.3	G1-1/2		30	66	66	86	88	3	M6X70
PCS 50.8	6	50.8		2	30	66	66	86	88	3	M6X70
PCS 57.2	7	57.2		2-1/4	30	94	93	121	122	5	M6X100
PCS 60.3	7	60.3			30	94	93	121	122	5	M6X100
PCS 63.5	7	63.5			30	94	93	121	122	5	M6X100
PCS 70	7	70			30	94	93	121	122	5	M6X100

PCS 73	7	73			30	94	93	121	122	5	M6X100
PCS 76.1	7	76.1			30	94	93	121	122	5	M6X100
PCS 88.9	8	88.9			30	120	118	147	148	5	M6X125
PCS 101.6		101.6			30	120	118	147	148	5	M6X125