

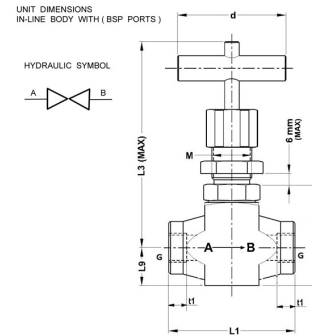
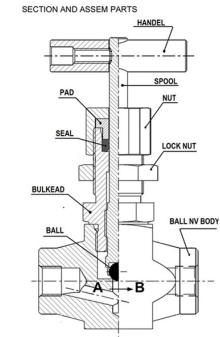
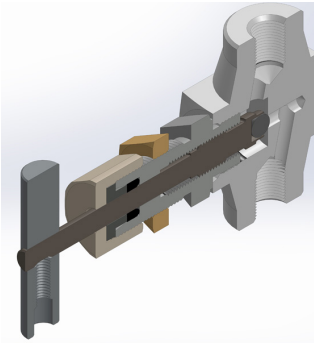


HYDROMATIK
connections par excellence

Valves

SHUT OFF VALVE - INLINE SHVG | DESCRIPTION

SHUTT OFF VALVE MODEL SHV, IS TWO WAY, SEAT TYPE VALVES. THESE ARE USED FOR ISOLATING THE OIL FLOW IN THE DIRECTION AS INDICATED BY AN ARROW MARK SHOWN ON THE VALVE BODY.



MODEL CODE IN-LINE	G	L1	L3	L4	L9	d	t1	S	M
SHVG02-2.0	G 1/4	70	110.5	54.5	21.0	64	14	30	M22X1.5
SHVG03-2.0	G 3/8	70	110.5	54.5	21.0	64	14	30	M22X1.5
SHVG04-2.0	G 1/2	77	110.5	54.5	21.0	64	17	30	M22X1.5
SHVG06-2.0	G 3/4	93	122.0	71.0	27.0	84	17	36	M26X1.5
SHVG08-2.0	G 1	93	122.0	72.0	27.0	84	18	46	M26X1.5
SHVG10-2.0	G 1-1/4	162	162.0	105.0	51.5	120	22	60	M42X2.0
SHVG12-2.0	G 1-1/2	162	162.0	105.0	51.5	120	24	60	M42X2.0