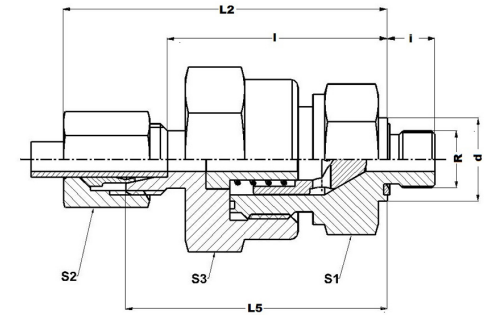
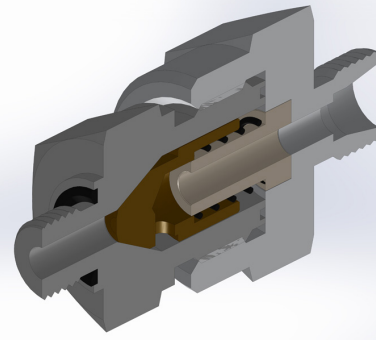




HYDROMATIK
connections par excellence

Valves

RHV-R-ED RHV-R-ED |



Type Designation	SERIES	PN bar(psi)	Tube OD	G	kg per 100St. Kg per 100pcs. Kg par 100p.	d	L2	L5	l	i	S1	S2	S3	Ã~entspr. Durchla beta Ã~outlet Ã~de passage correspondant
RHV 6 LR-ED	L	400(5801)	6	G 1/8 A	12.0	13.9	50.5	43	36	8	22	14	27	4.0
RHV 8 LR-ED	L	400(5801)	8	G 1/4 A	12.0	18.9	50.5	43	36	12	22	17	27	6.0
RHV 10 LR-ED	L	400(5801)	10	G 1/4 A	11.5	18.9	48.5	41	34	12	22	19	27	6.0
RHV 12 LR-ED	L	400(5801)	12	G 3/8 A	14.0	21.9	53.5	46	39	12	22	22	27	7.5
RHV 15 LR-ED	L	400(5801)	15	G 1/2 A	19.0	26.9	56	48	41	14	27	27	32	11.0
RHV 18 LR-ED	L	400(5801)	18	G 1/2 A	23.0	26.9	61.5	53	45.5	14	27	32	32	11.0
RHV 22 LR-ED	L	250(3626)	22	G 3/4 A	47.0	31.9	69.5	61	53.5	16	41	36	46	18.0
RHV 28 LR-ED	L	250(3626)	28	G 1 A	52.5	39.9	77	68	60.5	18	41	41	46	20.0
RHV 35 LR-ED	L	250(3626)	35	G 1 1/4 A	137.0	49.9	88.5	77.5	67	20	60	50	70	29.0

RHV 42 LR-ED	L	250(3626)	42	G 1 1/2 A	140.0	54.9	87.5	75.5	64.5	22	60	60	70	29.0
RHV 6 SR-ED	S	400(5801)	6	G 1/4 A	13.0	18.9	52.5	45	38	12	22	17	27	4.0
RHV 8 SR-ED	S	400(5801)	8	G 1/4 A	12.0	18.9	50.5	43	36	12	22	19	27	5.0
RHV 10 SR-ED	S	400(5801)	10	G 3/8 A	13.5	21.9	53.5	45	37.5	12	22	22	27	7.5
RHV 12 SR-ED	S	400(5801)	12	G 3/8 A	14.5	21.9	55.5	47	39.5	12	22	24	27	7.5
RHV 14 SR-ED	S	400(5801)	14	G 1/2 A	19.5	26.9	59.5	50	42	14	27	27	32	10.0
RHV 16 SR-ED	S	400(5801)	16	G 1/2 A	23.0	26.9	62.5	53	44.5	14	27	30	32	11.0
RHV 20 SR-ED	S	400(5801)	20	G 3/4 A	59.5	31.9	74	63	52.5	16	41	36	46	16.0
RHV 25 SR-ED	S	250(3626)	25	G 1 A	54.0	33.9	77	65	53	18	41	46	46	20.0
RHV 30 SR-ED	S	250(3626)	30	G 1 1/4 A	86.0	49.9	87	74	60.5	20	50	50	55	24.0
RHV 38 SR-ED	S	250(3626)	38	G 1 1/2 A	144.1	54.9	96	81.5	65.5	22	60	60	70	29.0