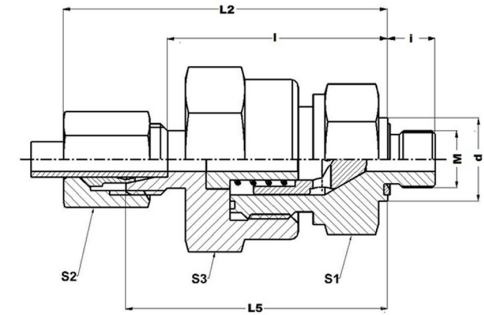
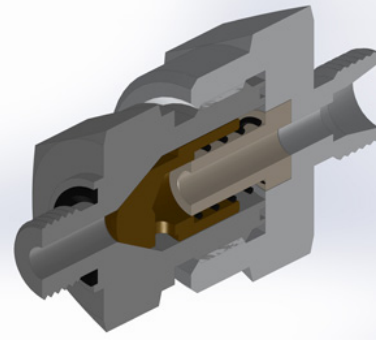




HYDROMATIK
connections par excellence

Valves

RHV-M-ED RHV-M-ED |



Type Designation	SERIES	PN bar(psi)	Tube OD	G	kg per 100St. Kg per 100pcs. Kg par 100p.	d	L2	L5	l	i	S1	S2	S3	Ã~entspr. Durchla beta Ã~outlet Ã~de passage correspondant
RHV 6 LM-ED	L	400(5801)	6	M10X1	12.0	13.9	50.5	43	36	8	22	14	27	4.0
RHV 8 LM-ED	L	400(5801)	8	M12X1.5	12.1	16.9	50.5	43	36	12	22	17	27	6.0
RHV 10 LM-ED	L	400(5801)	10	M14X1.5	11.0	18.9	48.5	41	34	12	22	19	27	7.0
RHV 12 LM-ED	L	400(5801)	12	M16X1.5	14.0	21.9	53.5	46	39	12	22	22	27	7.5
RHV 15 LM-ED	L	400(5801)	15	M18X1.5	18.0	23.9	56.0	48	41	12	27	27	32	11.0
RHV 18 LM-ED	L	400(5801)	18	M22X1.5	23.0	29.9	61.5	53	45.5	14	27	32	32	11.0
RHV 22 M-ED	L	250(3626)	22	M26X1.5	47.0	31.9	69.5	61	53.5	16	41	36	46	18.0
RHV 28 LM-ED	L	250(3626)	28	M33X2	52.5	39.9	77.0	68	60.5	18	41	41	46	18.5
RHV 35 LM-ED	L	250(3626)	35	M42X2	132.0	49.9	88.5	77.5	67	20	60	50	70	29.0
RHV 42 LM-ED	L	250(3626)	42	M48X2	140.0	54.9	87.5	75.5	64.5	22	60	60	70	29.0

RHV 6 SM-ED	S	400(5801)	6	M12X1.5	13.0	16.9	52.5	45	38	12	22	17	27	4.0
RHV 8 SM-ED	S	400(5801)	8	M14X1.5	11.9	18.9	50.5	43	36	12	22	19	27	5.0
RHV 10 SM-ED	S	400(5801)	10	M16X1.5	13.5	21.9	53.5	45	37.5	12	22	22	27	7.0
RHV 12 SM-ED	S	400(5801)	12	M18X1.5	15.5	23.9	55.5	47	39.5	12	24	24	27	7.5
RHV 14 SM-ED	S	400(5801)	14	M20X1.5	19.5	25.9	59.5	50	42	14	27	27	32	10.0
RHV 16 SM-ED	S	400(5801)	16	M22X2	23.0	26.9	62.5	53	44.5	14	27	30	32	11.0
RHV 20 SM-ED	S	400(5801)	20	M27X2	47.0	31.9	74.0	63	52.5	16	41	36	46	16.0
RHV 25 SM-ED	S	250 (3626)	25	M33X2	54.0	39.9	77.0	65	53	18	41	46	46	18.5
RHV 30 SM-ED	S		30	M42X2	86.0	49.9	87.0	74	60.5	20	50	50	55	24.0
RHV 38 SM-ED	S		38	M48X2	143.5	54.9	96.0	81.5	65.5	22	60	60	70	29.0