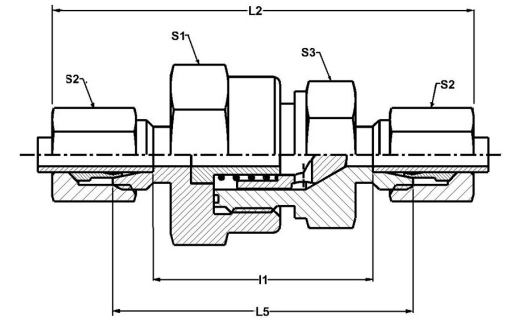
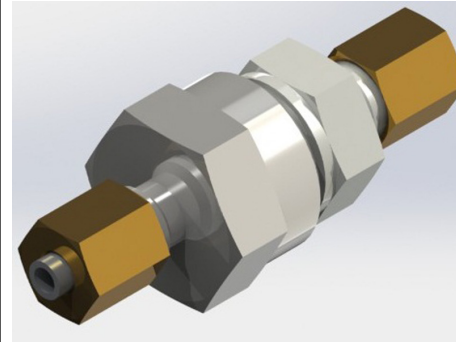




HYDROMATIK
connections par excellence

Valves

RHD RHD |



Type Designation	SERIES	PN bar(psi)	Tube OD	kg per 100St. Kg per 100pcs. Kg par 100p.	L2	L5	l1	S1	S2	S3	Ã~entspr. Durchla beta Ã~outlet Ã~de passage correspondant
RHD 6 L	L	400(5801)	6	12.0	67	52	38	22	14	27	4.0
RHD 8 L	L	400(5801)	8	12.5	67	52	38	22	17	27	6.0
RHD 10 L	L	400(5801)	10	11.5	67	52	38	22	19	27	7.5
RHD 12 L	L	400(5801)	12	12.5	68	53	39	22	22	27	7.5
RHD 15 L	L	400(5801)	15	18.5	74	58	44	27	27	32	11.0
RHD 18 L	L	400(5801)	18	23.0	80	63	48	27	32	32	11.0
RHD 22 L	L	250(3626)	22	51.1	92	75	60	41	36	46	18.5
RHD 28 L	L	250(3626)	28	57.0	99	81	66	41	41	46	18.5
RHD 35 L	L	250(3626)	35	130.5	114	92	71	60	50	70	29.0
RHD 42 L	L	250(3626)	42	123.4	101	87	65	60	60	70	29.0

RHD 6 S	S	400(5801)	6	13.0	71	56	42	22	17	27	4.0
RHD 8 S	S	400(5801)	8	12.0	67	52	38	22	19	27	5.0
RHD 10 S	S	400(5801)	10	13.0	71	54	39	22	22	27	7.0
RHD 12 S	S	400(5801)	12	14.0	72	55	40	22	24	27	7.5
RHD 14 S	S	400(5801)	14	18.5	81	62	46	27	27	32	10.0
RHD 16 S	S	400(5801)	16	22.0	84	65	48	27	30	32	11.0
RHD 20 S	S	400(5801)	20	66.2	100	78	57	41	36	46	16.0
RHD 25 S	S	250 (3626)	25	53.0	105	81	57	41	46	46	18.5
RHD 30 S	S	250(3626)	30	81.0	117	91	64	50	50	55	24.0
RHD 38 S	S	250(3626)	38	136.8	128	99	67	60	60	70	29.0