

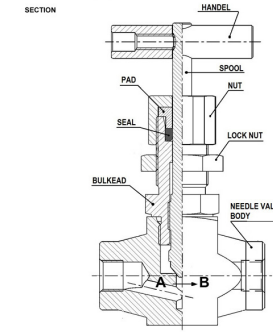
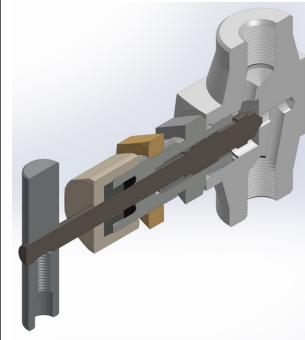


**HYDROMATIK**  
connections par excellence

## Valves

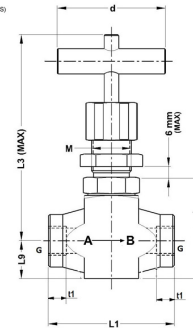
### NEEDLE VALVE - INLINE NV | Description

NEEDLE VALVE MODEL NV, IS TWO WAY, SEAT TYPE VALVES. THESE ARE USED FOR ISOLATING THE OIL FLOW IN THE DIRECTION AS INDICATED BY AN ARROW MARK SHOWN ON THE VALVE BODY.



UNIT DIMENSIONS  
IN-LINE BODY WITH (BSP POINTS)

HYDRAULIC SYMBOL



PART # IN-LINE	G	L1	L3	L4	L9	d	t1	S	M
NV 1/4" BSP	G 1/4	70	110.5	54.5	21.0	64	14	30	M22X1.5
NV 3/8" BSP	G 3/8	70	110.5	54.5	21.0	64	14	30	M22X1.5
NV 1/2" BSP	G 1/2	77	110.5	54.5	21.0	64	17	30	M22X1.5
NV 3/4" BSP	G 3/4	93	122.0	71.0	27.0	84	17	36	M26X1.5
NV 1" BSP	G 1	93	122.0	72.0	27.0	84	18	46	M26X1.5
NV 1,1/4" BSP	G 1-1/4	162	162.0	105.0	51.5	120	22	60	M42X2.0
NV 1,1/2" BSP	G 1-1/2	162	162.0	105.0	51.5	120	24	60	M42X2.0