



Valves

GAUGE ISOLATOR - Sub-Plate Mounting Valve GI-SPM |

Description

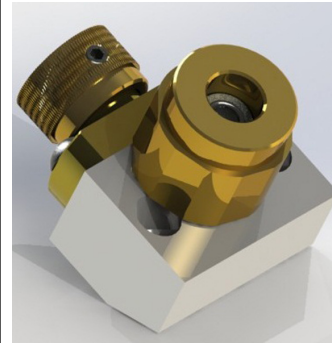
Seal type valve.

Swivelling gauge connection for easy gauge positioning.

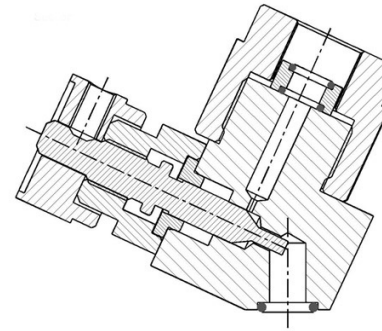
Compact assembly.

Eliminates gauge supporting bracket.

Angular gauge face plane in Sub- Plate mounting construction facilitating easy gauge reading.

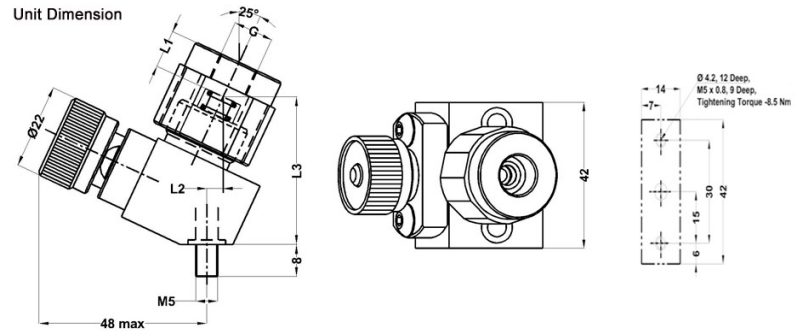


Section



Hydraulic Symbol

Unit Dimension



Part#	G	L1	L2	L3
GI-SPM-G1/4	G1/4	10.5	4.0	38.5
GI-SPM-G3/8	G3/8	10.5	4.0	39.0
GI-SPM-G1/2	G1/2	12.5	4.0	39.0

Technical Specification

Construction ---- Seat type

Mounting ---- Sub-Plate mounting interface / Panel mounting

Interface Standard----Factory Standard.

Mounting Position ----Optional.

Operating Pressure----350 bar.

Hydraulic medium----Mineral oil.

Viscosity range----10 cSt to 380 cSt.

Fluid temperature range---- -20[°] C to +70[°] C.

Fluid cleanliness requirement ---- As per ISO 19/16 or better.

Mass----0.3 kg.