

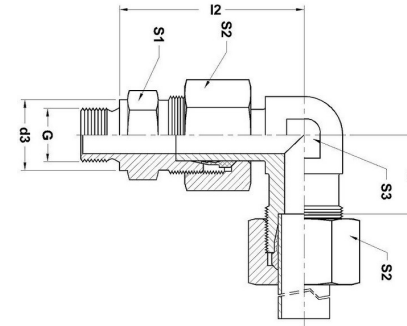
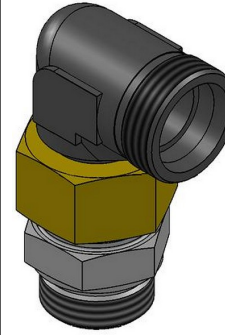


HYDROMATIK
connections par excellence

Metric Bite Type Fittings

SEC R/M - SWIVEL ELBOW CONNECTOR SEC R

SEC M | Male Thread BSP / Metric.



R - Part No.	M - Part No.	Series	Tube OD	BSP Thread G	Metric Thread G	l1	l2	S1	S2	S3
SEC 06-LR	SEC 06-LM	Light-250 Bar	6	1/8	M10 X 1	12	34.5	14	14	12
SEC 08-LR	SEC 08-LM	Light-250 Bar	8	1/4	M12 X 1.5	14	37.5	17	17	12
SEC 10-LR	SEC 10-LM	Light-250 Bar	10	1/4	M14 X 1.5	15	40	19	19	14
SEC 12-LR	SEC 12-LM	Light-250 Bar	12	3/8	M16 X 1.5	17	42	22	22	17
SEC 15-LR	SEC 15-LM	Light-250 Bar	15	1/2	M18 X 1.5	21	47	24	27	19
SEC 18-LR	SEC 18-LM	Light-160 Bar	18	1/2	M22 X 1.5	23.5	50.5	27	32	24
SEC 22-LR	SEC 22-LM	Light-160 Bar	22	3/4	M26 X 1.5	27.5	55.5	32	36	27
SEC 28-LR	SEC 28-LM	Light-100 Bar	28	1	M33 X 2.0	30.5	61	41	41	36

SEC 35-LR	SEC 35-LM	Light-100 Bar	35	1 1/4	M42 X 2.0	34.5	72	50	50	41
SEC 42-LR	SEC 42-LM	Light-100 Bar	42	1 1/2	M48 X 2.0	40	79	55	60	50
SEC 06-SR	SEC 06-SM	Heavy-630 Bar	6	1/4	M12 X 1.5	16	40	17	17	12
SEC 08-SR	SEC 08-SM	Heavy-630 Bar	8	1/4	M14 X 1.5	17	44	19	19	14
SEC 10-SR	SEC 10-SM	Heavy-630 Bar	10	3/8	M16 X 1.5	17.5	47	22	22	17
SEC 12-SR	SEC 12-SM	Heavy-630 Bar	12	3/8	M18 X 1.5	21.5	50	24	24	17
SEC 14-SR	SEC 14-SM	Heavy-630 Bar	14	1/2	M20 X 1.5	22	55	27	27	19
SEC 16-SR	SEC 16-SM	Heavy-400 Bar	16	1/2	M22 X 1.5	24.5	56	27	30	24
SEC 20-SR	SEC 20-SM	Heavy-400 Bar	20	3/4	M27 X 2.0	26.5	65	32	36	27
SEC 25-SR	SEC 25-SM	Heavy-400 Bar	25	1	M33 X 2.0	30	73.5	41	46	36
SEC 30-SR	SEC 30-SM	Heavy-250 Bar	30	1 1/4	M42 X 2.0	35.5	80	50	50	41
SEC 38-SR	SEC 38-SM	Heavy-250 Bar	38	1 1/2	M48 X 2.0	41	93.5	55	60	50

Dimensions given approx. fig. with tightened nut