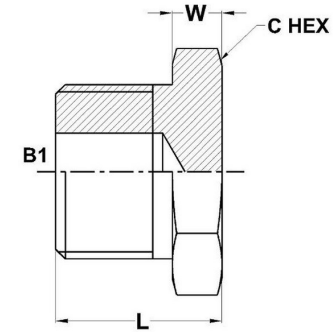
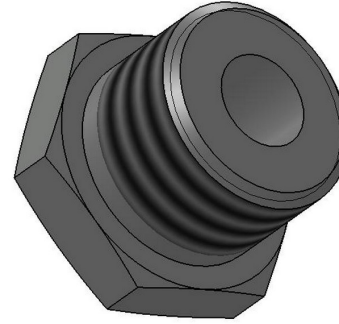




HYDROMATIK
connections par excellence

International Fittings

Metric MM Plug 1.5 Pitch 8555-P Series |



PART NO. SIZE	B1 MM	L LGTH	W WIDTH	C HEX
8555-P10-O	M10 X 1	12.0	4.0	14.0
8555-P12-O	M12 X 1.5	16.7	7.0	17.0
8555-P14-O	M14 X 1.5	17.4	8.0	19.0
8555-P16-O	M16 X 1.5	16.4	8.0	22.0
8555-P18-O	M18 X 1.5	17.1	8.0	24.0
8555-P20-O	M20 X 1.5	16.8	8.0	27.0
8555-P24-O	M24 X 1.5	17.6	8.0	33.0
8555-P26-O	M26 X 1.5	17.6	8.0	33.0
8555-P36-O	M36 X 1.5	19.6	8.0	46.0