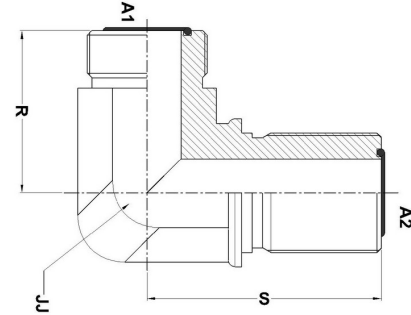
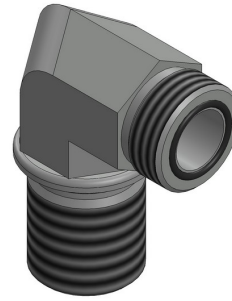




HYDROMATIK
connections par excellence

O-Ring Face Seal Fittings

MFS-MFS Bulkhead 90° FS2701 Series | SAE# 520701



PART NO.SIZE	TUBE O.D.	A1 THREAD	A2 THREAD	A1 DRILL	A2 DRILL	R LGTH	S LGTH	JJ FLATS
FS2701-04-04-FG	1/4	9/16-18	9/16-18	0.172	0.172	0.89	1.85	0.562
FS2701-06-06-FG	3/8	11/16-16	11/16-16	0.264	0.264	1.02	2.05	0.750
FS2701-06-08-FG	3/8 1/2	11/16-16	13/16-16	0.264	0.378	1.08	2.18	0.750
FS2701-08-08-FG	1/2	13/16-16	13/16-16	0.378	0.378	1.14	2.18	0.750
FS2701-08-10-FG	1/2 5/8	13/16-16	1-14	0.378	0.484	1.26	2.48	1.062
FS2701-10-10-FG	5/8	1-14	1-14	0.484	0.484	1.36	2.48	1.062
FS2701-12-12-FG	3/4	1-3/16-12	1-3/16-12	0.609	0.609	1.52	2.65	1.188
FS2701-16-16-FG	1	1-7/16-12	1-7/16-12	0.811	0.811	1.67	2.80	1.438
FS2701-20-20-FG	1-1/4	1-11/16-12	1-11/16-12	1.024	1.024	1.79	2.97	1.625
FS2701-24-24-FG	1-1/2	2-12	2-12	1.260	1.260	1.95	3.13	1.875

*Locknut style available. Use part number FS2701-LN-(size)