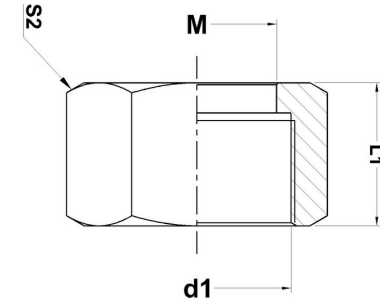
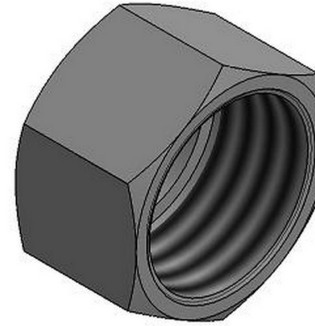




HYDROMATIK
connections par excellence

Metric Bite Type Fittings

BO-M BO-M | Nut



Part No.	Series	PN Bar	Tube OD	M	l	d1	S2
BO-M 06-L	L	500	6	M12 X 1.5	17	7.8	14
BO-M 08-L	L	500	8	M14 X 1.5	18	9.5	17
BO-M 10-L	L	500	10	M16 X 1.5	19.5	11.7	19
BO-M 12-L	L	400	12	M18 X 1.5	20.5	13.8	22
BO-M 15-L	L	400	15	M22 X 1.5	23	17.7	27
BO-M 18-L	L	400	18	M26 X 1.5	23	21.2	32
BO-M 22-L	L	250	22	M30 X 2.0	27.5	24.4	36
BO-M 28-L	L	250	28	M36 X 2.0	27.5	30.4	41
BO-M 35-L	L	250	35	M45 X 2.0	30	38.3	50
BO-M 42-L	L	250	42	M52 X 2.0	34	45.3	60
BO-M 06-S	S	630	6	M14 X 1.5	18	7.8	17
BO-M 08-S	S	630	8	M16 X 1.5	19	9.5	19
BO-M 10-S	S	630	10	M18 X 1.5	20.5	11.7	22
BO-M 12-S	S	630	12	M20 X 1.5	21	13.8	24
BO-M 14-S	S	630	14	M22 X 1.5	23	17.7	27

BO-M 16-S	S	630	16	M24 X 1.5	26.5	18.7	30
BO-M 20-S	S	400	20	M30 X 2.0	27.5	24.4	36
BO-M 25-S	S	400	25	M36 X 2.0	30.5	28.7	46
BO-M 30-S	S	400	30	M42 X 2.0	32	34.2	50
BO-M 38-S	S	400	38	M52 X 2.0	38	42.3	60

Dimensions given approx.

Temp RANGE without pressure reductions

FOR 'O' Ring sealing of NBR (buna N- STD) -35° TO +100° C, FOR FPM

(Viton - ON request) -25° TO +120° C.