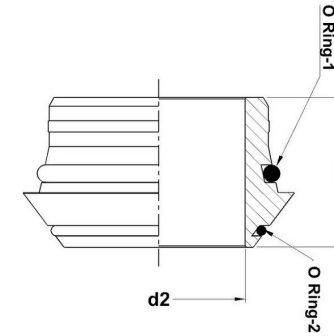




HYDROMATIK
connections par excellence

Metric Bite Type Fittings

BO-ZR BO-ZR | Center Unit With 'O' Ring



Part No.	Series	PN Bar	Tube OD	d2	l	O' Ring 1	O' Ring 2
BO-ZR 06-L	L	500	6	3	11.5	4.5 X 1.5	4.4 X 0.8
BO-ZR 08-L	L	500	8	5	12	6 X 1.5	6 X 0.8
BO-ZR 10-L	L	500	10	6	12.5	8.5 X 1.5	7.5 X 0.8
BO-ZR 12-L	L	400	12	8	12.5	10 X 1.5	9.5 X 0.8
BO-ZR 15-L	L	400	15	11	12.5	12 X 2	12.5 X 0.8
BO-ZR 18-L	L	400	18	14	13	15 X 2	15 X 1
BO-ZR 22-L	L	250	22	17	14.2	20 X 2	18 X 1
BO-ZR 28-L	L	250	28	23	14.7	26 X 2	23 X 1
BO-ZR 35-L	L	250	35	28	18.5	32 X 2.5	30 X 1
BO-ZR 42-L	L	250	42	35	20.5	38 X 2.5	37 X 1
BO-ZR 06-S	S	630	6	3	11.5	4.5 X 1.5	4.4 X 0.8
BO-ZR 08-S	S	630	8	5	12	6 X 1.5	6 X 0.8
BO-ZR 10-S	S	630	10	6	12.5	8.5 X 1.5	7.5 X 0.8
BO-ZR 12-S	S	630	12	8	12.5	10 X 1.5	9.5 X 0.8

BO-ZR 14-S	S	630	14	9	14	12 X 2	11 X 1
BO-ZR 16-S	S	630	16	11	15	14 X 2	12.5 X 1
BO-ZR 20-S	S	400	20	14	18.5	17.3 X 2.4	16 X 1
BO-ZR 25-S	S	400	25	19	20	22.3 X 2.4	20 X 1
BO-ZR 30-S	S	400	30	23	22	27.3 X 2.4	25 X 1
BO-ZR 38-S	S	400	38	30	26	35 X 2.5	32 X 1.78

Dimensions given approx.

Temp RANGE without pressure reductions

FOR 'O' Ring sealing of NBR (buna N- STD) -35Â° TO +100Â° C, FOR FPM

(Viton - ON request) -25Â° TO +120Â° C.