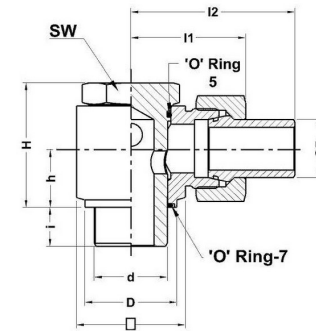
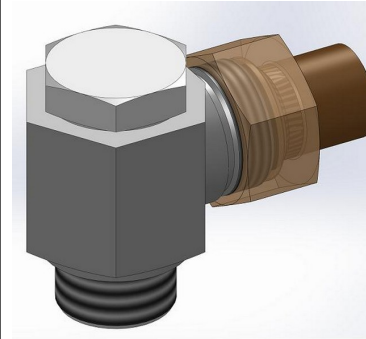




HYDROMATIK
connections par excellence

Metric Bite Type Fittings

WH-R-ED HIGH PRESSURE BANJO COUPLING WH-R-ED |
(On Request 'LR' Light Series also Available)



Part No.	Series	Tube OD	d	D	i	H	h	l1	l2	?	SW	O' Ring pos.5	O' Ring pos.7
WH 10-HR	630	10	1/4	22	12	31	13	34	50	25	19	9.5 X 2.0	16.0 X 1.5
WH 10-HM	630	10	M14 X1.5	22	12	31	13	34	50	25	19	9.5 X 2.0	16.0 X 1.5
WH 10-HR	630	10	3/8	24	12	37	15	38	53	30	24	14.0 X 2.0	18.0 X 1.5
WH 10-HM	630	10	M16 X 1.5	24	12	37	15	38	53	30	24	14.0 X 2.0	18.0 X 1.5
WH 12-HR	630	12	3/8	24	12	37	15	38	53	30	24	14.0 X 2.0	18.0 X 1.5
WH 12-HM	630	12	M18 X 1.5	24	12	37	15	38	53	30	24	14.0 X 2.0	18.0 X 1.5
WH 16-HR	400	16	1/2	30	14	48	22	45	66	40	30	18.0 X 2.2	23.0 X 2.0
WH 16-HM	400	16	M22 X 1.5	30	14	48	22	45	66	40	30	18.0 X 2.2	23.0 X 2.0

WH 20-HR	400	20	3/4	40	16	53	24.5	52	75.5	45	36	25.3 X 2.4	31.0 X 2.5
WH 20-HM	400	20	M27 X 2.0	40	16	53	24.5	52	75.5	45	36	25.3 X 2.4	31.0 X 2.5
WH 25-HR	400	25	1	46	18	59	30	56	84	50	41	29.8 X 2.6	37.0 X 2.3
WH 25-HM	400	25	M33 X 2.0	46	18	59	30	56	84	50	41	29.8 X 2.6	37.0 X 2.3
WH 30-HR	250	30	1 1/4	54	20	71	36	64.5	93.5	60	50	38.0 X 3.0	45.0 X 2.5
WH 30-HM	250	30	M42 X 2.0	54	20	71	36	64.5	93.5	60	50	38.0 X 3.0	45.0 X 2.5
WH 38-HR	250	38	1 1/2	60	22	87	40	75	107	75	60	43.0 X 3.0	51.0 X 3.0
WH 38-HM	250	38	M48 X 2.0	60	22	87	40	75	107	75	60	43.0 X 3.0	51.0 X 3.0
WH 50-HR	250	50	2	75	24	119	54.5	94	123	100	70	55.0 X 3.0	64.0 X 3.0
WH 50-HM	250	50	M60 X 2.0	75	24	119	54.5	94	123	100	70	55.0 X 3.0	64.0 X 3.0

Dimensions given approx.. fig. with tightened nut