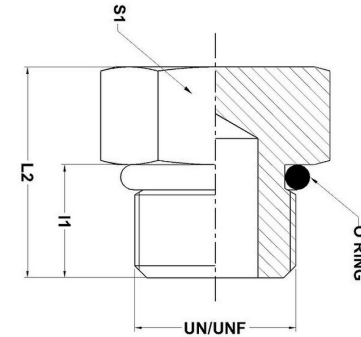
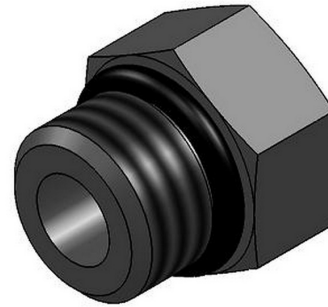




HYDROMATIK
connections par excellence

Metric Bite Type Fittings

HP-UN/UNF HEX HEAD PLUG HP | As per SAE J514



Part No.	UNF/UN	L1	L2	S1	O' Ring
HP 02	5/16 - 24	7.54	15.2	12	6.07 X 1.63
HP 03	3/8 - 24	7.54	15.2	12	7.65 X 1.63
HP 04	7/16 - 20	9.14	17	14	8.92 X 1.83
HP 05	1/2 - 20	9.14	17	17	10.52 X 1.83
HP 06	9/16 - 18	9.93	18.5	17	11.89 X 1.98
HP 08	3/4 - 16	11.13	20.3	22	16.36 X 2.21
HP 10	7/8 - 14	12.7	23.6	27	19.18 X 2.46
HP 12	1.1/16 - 12	15.09	27.7	32	23.47 X 2.95
HP 14	1.3/16 - 12	15.09	27.7	36	26.59 X 2.95
HP 16	1.5/16 - 12	15.09	28.4	41	29.74 X 2.95
HP 20	1.5/8 - 12	15.09	30.5	46	37.47 X 3.0
HP 22	1.7/8 - 12	15.09	32.3	55	43.69 X 3.0
HP 24	2.1/2 - 12	15.09	36.3	70	59.36 X 3.0