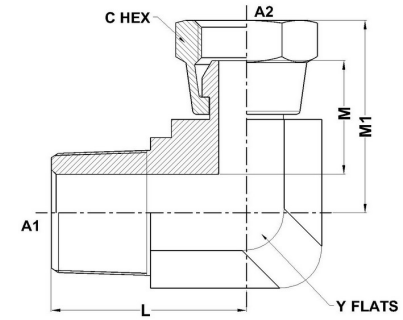
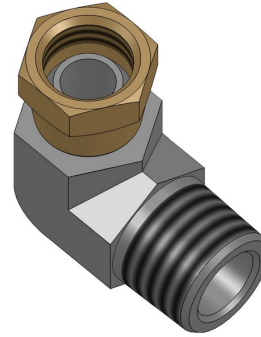




HYDROMATIK
connections par excellence

Tube Fittings & Adapters

MP-FPS 90° 1501 Series | SAE# 140230



PART NO. SIZE	A1 NPTF	A2 NPSM	A1 DRILL	A2 DRILL	L LGTH	M LGTH	M1 LGTH	C HEX	Y FLATS
1501-02-02-FG	1/8-27	1/8-27	0.188	0.15	0.72	0.70	0.84	0.562	0.438
1501-02-04-FG	1/8-27	1/4-18	0.188	0.22	0.90	0.88	1.07	0.688	0.562
1501-04-02-FG	1/4-18	1/8-27	0.281	0.15	1.09	0.77	0.91	0.562	0.562
1501-04-04-FG	1/4-18	1/4-18	0.281	0.22	1.09	0.88	1.07	0.688	0.562
1501-04-06-FG	1/4-18	3/8-18	0.281	0.34	1.22	0.99	1.20	0.875	0.750
1501-04-08-FG	1/4-18	1/2-14	0.281	0.46	1.28	1.11	1.39	1.000	0.875
1501-06-04-FG	3/8-18	1/4-18	0.406	0.22	1.22	0.99	1.18	0.688	0.750
1501-06-06-FG	3/8-18	3/8-18	0.406	0.34	1.22	0.99	1.20	0.875	0.750
1501-06-08-FG	3/8-18	1/2-14	0.406	0.46	1.28	1.11	1.39	1.000	0.875
1501-06-12-FG	3/8-18	3/4-14	0.406	0.64	1.40	1.30	1.65	1.250	1.062
1501-08-04-FG	1/2-14	1/4-18	0.531	0.22	1.47	1.02	1.21	0.688	0.875
1501-08-06-FG	1/2-14	3/8-18	0.531	0.34	1.47	1.04	1.25	0.875	0.875
1501-08-08-FG	1/2-14	1/2-14	0.531	0.46	1.47	1.11	1.39	1.000	0.875
1501-08-12-FG	1/2-14	3/4-14	0.531	0.64	1.59	1.30	1.65	1.250	1.062

1501-12-04-FG	3/4-14	1/4-18	0.719	0.22	1.59	1.24	1.43	0.688	1.062
1501-12-06-FG	3/4-14	3/8-18	0.719	0.34	1.59	1.24	1.45	0.875	1.062
1501-12-08-FG	3/4-14	1/2-14	0.719	0.46	1.59	1.24	1.52	1.000	1.062
1501-12-12-FG	3/4-14	3/4-14	0.719	0.64	1.59	1.30	1.65	1.250	1.062
1501-12-16-FG	3/4-14	1-11 1/2	0.719	0.83	1.78	1.54	1.89	1.500	1.312
1501-12-20-FG	3/4-14	1 1/4-11 1/2	0.719	1.09	2.16	1.73	2.15	1.875	1.625
1501-16-08-FG	1-11 1/2	1/2-14	0.938	0.46	1.97	1.43	1.71	1.000	1.312
1501-16-12-FG	1-11 1/2	3/4-14	0.938	0.64	1.97	1.43	1.78	1.250	1.312
1501-16-16-FG	1-11 1/2	1-11 1/2	0.938	0.83	1.97	1.54	1.89	1.500	1.312
1501-16-20-FG	1-11 1/2	1 1/4-11 1/2	0.938	1.09	2.35	1.73	2.15	1.875	1.625
1501-20-12-FG	1 1/4-11 1/2	3/4-14	1.250	0.64	2.38	1.56	1.91	1.250	1.625
1501-20-16-FG	1 1/4-11 1/2	1-11 1/2	1.250	0.83	2.38	1.70	2.05	1.500	1.625
1501-20-20-FG	1 1/4-11 1/2	1 1/4-11 1/2	1.250	1.09	2.38	1.73	2.15	1.875	1.625
1501-20-24-FG	1 1/4-11 1/2	1 1/2-11 1/2	1.250	1.32	2.61	1.89	2.31	2.125	1.875
1501-24-20-FG	1 1/2-11 1/2	1 1/4-11 1/2	1.500	1.09	2.64	1.77	2.19	1.875	1.875
1501-24-24-FG	1 1/2-11 1/2	1 1/2-11 1/2	1.500	1.32	2.64	1.89	2.31	2.125	1.875
1501-32-32-FG	2-11 1/2	2-11 1/2	1.938	1.80	3.00	2.27	2.69	2.625	2.500