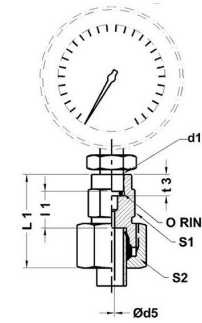
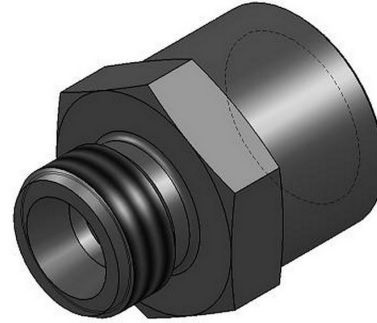




HYDROMATIK
connections par excellence

Metric Bite Type Fittings

MAV - PRESSURE GAUGE ADAPTOR MAV | With DKI Ring



Part No.	Series	Tube OD	Conn. BSP Thread d1	d5	l1	t3	S1	S2	h
MAV 06 LR	Light-250 Bar	6	1/4	2.5	7.5	14.5	19	14	4.5
MAV 08 LR	Light-250 Bar	8	1/4	5.5	7.5	14.5	19	17	4.5
MAV 10 LR	Light-250 Bar	10	1/4	5.5	8.5	14.5	19	19	4.5
MAV 12 LR	Light-250 Bar	12	1/4	5.5	8.5	14.5	19	22	4.5
MAV 06 SR	Heavy-630 Bar	6	1/2	3.5	11	20	27	17	5
MAV 08 SR	Heavy-630 Bar	8	1/2	3.5	11	20	27	19	5
MAV 10 SR	Heavy-630 Bar	10	1/2	7	10.5	20	27	22	5
MAV 12 SR	Heavy-630 Bar	12	1/2	7	10.5	20	27	24	5

Dimensions given approx. Fig. with tightened nut.

Part No. Given refers to complete assembly - Steel Part