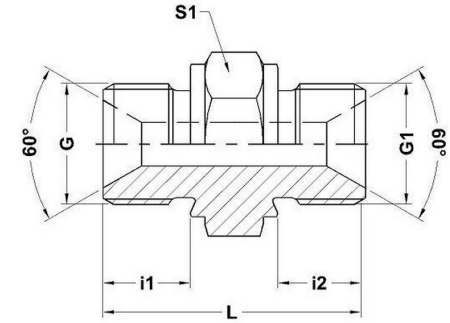
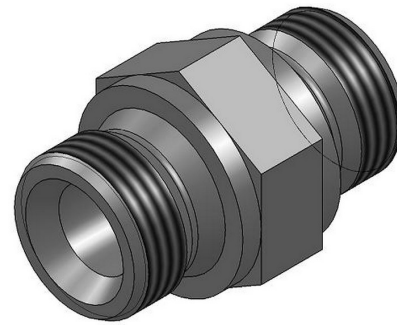




HYDROMATIK
connections par excellence

Metric Bite Type Fittings

HA - HOSE ADAPTOR HA | Male Threads - BSP



Part No.	Male Stud G	Male Stud G1	L	i1	i2	S1
HA 1/8 X 1/8	1/8	1/8	27	8	8	14
HA 1/8 X 1/4	1/8	1/4	31.5	8	12	19
HA 1/4 X 1/4	1/4	1/4	36	12	12	19
HA 1/4 X 3/8	1/4	3/8	38.5	12	12	22
HA 1/4 X 1/2	1/4	1/2	41	12	14	27
HA 3/8 X 3/8	3/8	3/8	39	12	12	22
HA 3/8 X 1/2	3/8	1/2	41.5	12	14	27
HA 3/8 X 3/4	3/8	3/4	45.5	12	16	32
HA 1/2 X 1/2	1/2	1/2	44	14	14	27
HA 1/2 X 3/4	1/2	3/4	48	14	16	32
HA 1/2 X 1	1/2	1	50	14	18	41
HA 3/4 X 3/4	3/4	3/4	50	16	16	32
HA 3/4 X 1	3/4	1	52	16	18	41
HA 3/4 X 1 1/4	3/4	1 1/4	58	16	20	50

HA 1 X 1	1	1	54	18	18	41
HA 1 X 1 1/4	1	1 1/4	60	18	20	50
HA 1 X 1 1/2	1	1 1/2	63	18	22	55
HA 1 1/4 X 1 1/4	1 1/4	1 1/4	62	20	20	50
HA 1 1/4 X 1 1/2	1 1/4	1 1/2	65	20	22	55
HA 1 1/2 X 1 1/2	1 1/2	1 1/2	67	22	22	55
HA 2 X 2	2	2	72	24	24	70
HA 2 X 1 1/2	2	1 1/2	70	24	22	70