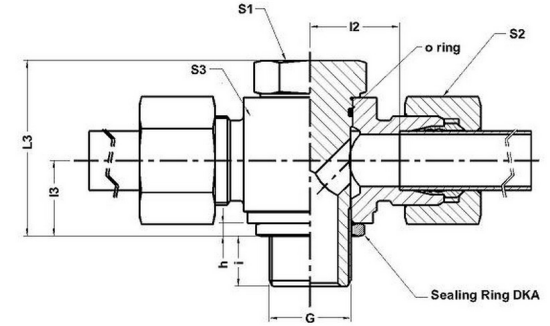
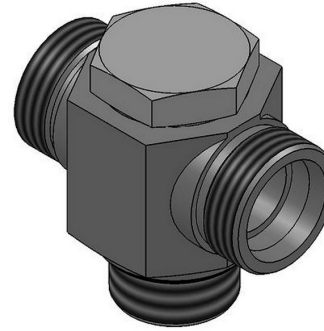




**HYDROMATIK**  
connections par excellence

## Metric Bite Type Fittings

### TWH-R - HIGH PRESSURE TEE BANJO COUPLING TWH-R |



Part No.	Series	Tube OD	G	i	l2	l3	L3	S1	S2	S3	h
TWH 06-LR	Light-250 Bar	6	1/8	8	12	10.5	24	17	14	17	2.5
TWH 08-LR	Light-250 Bar	8	1/4	12	14.5	14	30	19	17	22	3
TWH 10-LR	Light-250 Bar	10	1/4	12	15.5	14	30	19	19	22	3
TWH 12-LR	Light-250 Bar	12	3/8	12	18	16.5	36	24	22	27	3
TWH 15-LR	Light-250 Bar	15	1/2	14	21.5	21.5	45	30	27	32	4.5
TWH 18-LR	Light-160 Bar	18	1/2	14	21	21.5	45	30	32	32	4.5
TWH 22-LR	Light-160 Bar	22	3/4	16	27.5	24	53	36	36	41	3.5
TWH 28-LR	Light-100 Bar	28	1	18	32	30.5	66	46	41	50	3.5
TWH 35-LR	Light-100 Bar	35	1 1/4	20	36	35.5	76	55	50	60	3.5

TWH 42-LR	Light-100 Bar	42	1 1/2	22	40.5	40.5	87	60	60	70	3.5
TWH 06-SR	Heavy-630 Bar	6	1/4	12	16.5	14	30	19	17	22	3
TWH 08-SR	Heavy-630 Bar	8	1/4	12	16.5	14	30	19	19	22	3
TWH 10-SR	Heavy-630 Bar	10	3/8	12	18.5	16.5	36	24	22	27	3
TWH 12-SR	Heavy-630 Bar	12	3/8	12	18.5	16.5	36	24	24	27	3
TWH 14-SR	Heavy-630 Bar	14	1/2	14	22.5	21.5	45	30	27	32	4.5
TWH 16-SR	Heavy-400 Bar	16	1/2	14	22	21.5	45	30	30	32	4.5
TWH 20-SR	Heavy-400 Bar	20	3/4	16	26.5	24	53	36	36	41	3.5
TWH 25-SR	Heavy-400 Bar	25	1	18	31.5	30.5	66	46	46	50	3.5
TWH 30-SR	Heavy-250 Bar	30	1 1/4	20	37	35.5	76	55	50	60	3.5
TWH 38-SR	Heavy-250 Bar	38	1 1/2	22	41.5	40.5	87	60	60	70	3.5

Dimensions given approx.. fig. with tightened nut