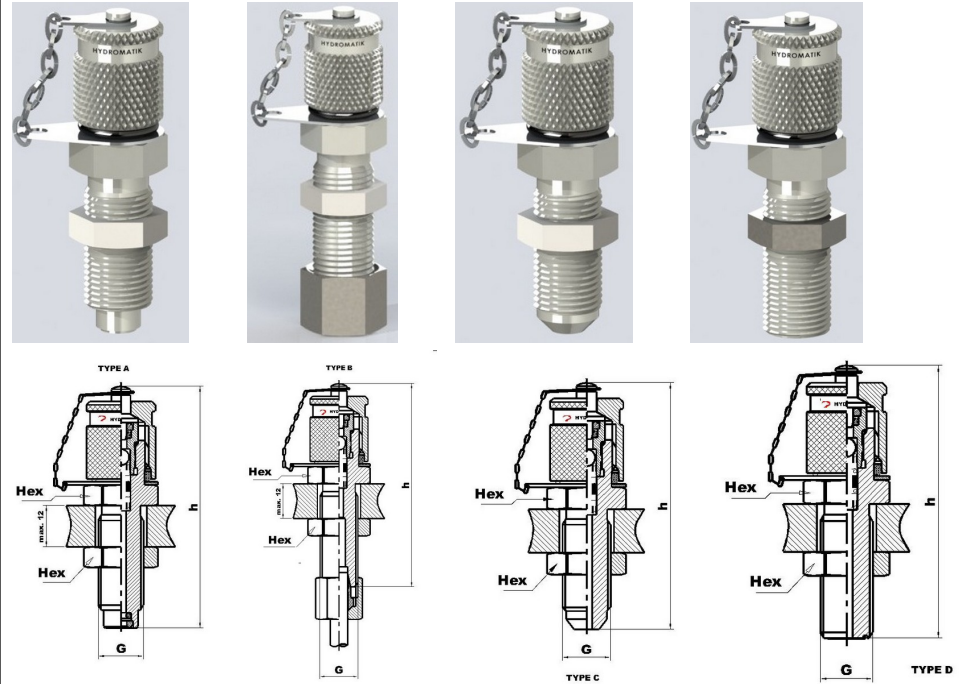




Test Points Couplings

TEST BULKHEAD - TSB NBR(N)

VITON(V) |



Part No. NBR(N)	Part No. VITON(V)	THREAD G	h	HEX	Type
TSB-M16-N	TSB-M16-V	M16	72	19	A
TSB-08-L-N	TSB-08-L-V	M14 X 1.5 *	72	19	B
TSB-08-S-N	TSB-08-S-V	M16 X1.5 *	72	22	B
TSB-12-L-N	TSB-12-L-V	M18 X 1.5 *	72	22	B
TSB-JIC-7/16-UNF-N	TSB-JIC-7/16-UNF-V	7/16-20 UNF **	66	17	C
TSB-ORFS-9/16-UNF-N	TSB-ORFS-9/16-UNF-V	9/16-18 UNF ***	67	22	D
TSB-ORFS-11/16-UNF-N	TSB-ORFS-11/16-UNF-V	11/16-16 UN ***	72	27	D
TSB-ORFS-13/16-UNF-N	TSB-ORFS-13/16-UNF-V	13/16-16 UNF ***	75	30	D

* Compression ring Assembly 08 L / 08 S / 12 L in accordance to DIN 2353.

** JIC Cone fitting in accordance to SAE J514.

*** 'O' Ring face seal in accordance to SAE J1453.