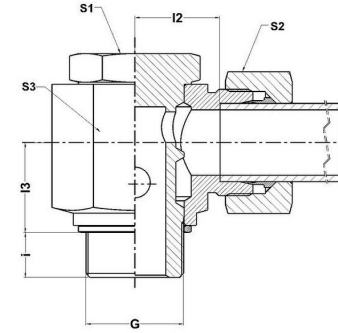
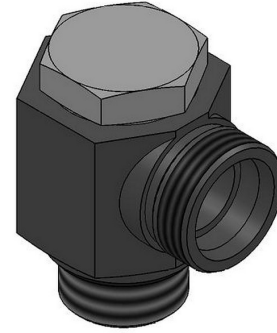




HYDROMATIK
connections par excellence

Metric Bite Type Fittings

BE-M- SWIVEL BANJO CONNECTOR BE-M |



Part No.	Series	Tube OD	G	i	I2	I3	S1	S2	S3
BE 06-LM	Light-250 Bar	6	M10 X 1	8	10	11	14	14	14
BE 08-LM	Light-250 Bar	8	M12 X 1.5	10	14	15.5	19	17	22
BE 10-LM	Light-250 Bar	10	M14 X 1.5	10	15	15	19	19	22
BE 12-LM	Light-250 Bar	12	M16 X 1.5	10	17.5	18	22	22	27
BE 15-LM	Light-250 Bar	15	M18 X 1.5	12	18.5	17	27	27	27
BE 18-LM	Light-160 Bar	18	M22 X 1.5	14	19.5	20	27	32	32
BE 22-LM	Light-160 Bar	22	M26 X 1.5	16	27	25.5	32	36	41
BE 28-LM	Light-100 Bar	28	M33 X 2.0	18	29.5	29	41	41	46
BE 35-LM	Light-100 Bar	35	M42 X 2.0	20	33	34	50	50	55
BE 42-LM	Light-100 Bar	42	M48 X 2.0	22	40	41.5	55	60	70
BE 06-SM	Heavy-630 Bar	6	M12 X 1.5	10	16	15.5	19	17	22
BE 08-SM	Heavy-630 Bar	8	M14 X 1.5	10	16	15.5	19	19	22
BE 10-SM	Heavy-630 Bar	10	M16 X 1.5	10	18	18	22	22	27
BE 12-SM	Heavy-630 Bar	12	M18 X 1.5	10	18	18	22	24	27
BE 14-SM	Heavy-630 Bar	14	M20 X 1.5	14	22	21	27	27	32

BE 16-SM	Heavy-400 Bar	16	M22 X 1.5	14	21.5	21	27	30	32
BE 20-SM	Heavy-400 Bar	20	M27 X 2.0	16	28.5	28	32	36	41
BE 25-SM	Heavy-400 Bar	25	M33 X 2.0	18	31	31	41	46	50
BE 30-SM	Heavy-250 Bar	30	M42 X 2.0	20	36.5	36.5	55	50	60
BE 38-SM	Heavy-250 Bar	38	M48 X 2.0	22	41	41.5	60	60	70

Dimensions given approx. fig. with tightened nut