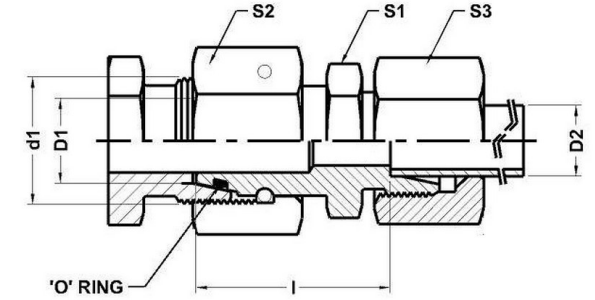
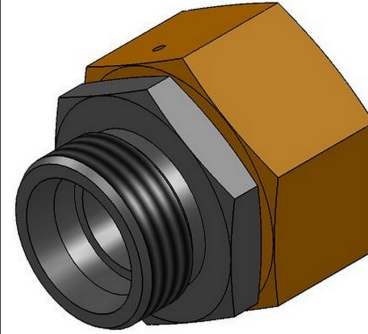




HYDROMATIK
connections par excellence

Metric Bite Type Fittings

RED - REDUCING TUBE ADAPTOR WITH SWIVEL NUT
Series S Series - S |



Part No.	PN	D1	D2	d1	l1	S1	S2	S3	O' Ring
RED 08/06 S	630	8	6	M16 X 1.5	27	14	19	17	6 x 1.5
RED 10/06 S	630	10	6	M18 X 1.5	27.5	17	22	17	7 x 1.5
RED 10/08 S	630	10	8	M18 X 1.5	27.5	17	22	19	7 x 1.5
RED 12/06 S	630	12	6	M20 X 1.5	29	17	24	17	9 x 1.5
RED 12/08 S	630	12	8	M20 X 1.5	29	17	24	19	9 x 1.5
RED 12/10 S	630	12	10	M20 X 1.5	29.5	19	24	22	9 x 1.5
RED 14/06 S	400	14	6	M22 X 1.5	31.5	19	27	17	10 x 2.0
RED 14/08 S	400	14	8	M22 X 1.5	31.5	19	27	19	10 x 2.0
RED 14/10 S	400	14	10	M22 X 1.5	31	19	27	22	10 x 2.0
RED 14/12 S	400	14	12	M22 X 1.5	31	22	27	24	10 x 2.0
RED 16/06 S	400	16	6	M24 X 1.5	32	22	30	17	12 x 2.0
RED 16/08 S	400	16	8	M24 X 1.5	32	22	30	19	12 x 2.0
RED 16/10 S	400	16	10	M24 X 1.5	31.5	22	30	22	12 x 2.0
RED 16/12 S	400	16	12	M24 X 1.5	31.5	22	30	24	12 x 2.0

RED 16/14 S	400	16	15	M24 X 1.5	33	24	30	27	12 x 2.0
RED 20/06 S	400	20	6	M30 X 2.0	36	27	36	17	16.3 x 2.4
RED 20/08 S	400	20	8	M30 X 2.0	36	27	36	19	16.3 x 2.4
RED 20/10 S	400	20	10	M30 X 2.0	35.5	27	36	22	16.3 x 2.4
RED 20/12 S	400	20	12	M30 X 2.0	35.5	27	36	24	16.3 x 2.4
RED 20/14 S	400	20	15	M30 X 2.0	37	27	36	27	16.3 x 2.4
RED 20/16 S	400	20	18	M30 X 2.0	36.5	27	36	30	16.3 x 2.4
RED 25/06 S	400	25	6	M36 X 2.0	38.5	32	46	17	20.3 x 2.4
RED 25/08 S	400	25	8	M36 X 2.0	38.5	32	46	19	20.3 x 2.4
RED 25/10 S	400	25	10	M36 X 2.0	38	32	46	22	20.3 x 2.4
RED 25/12 S	400	25	12	M36 X 2.0	38	32	46	24	20.3 x 2.4
RED 25/14 S	400	25	15	M36 X 2.0	39.5	32	46	27	20.3 x 2.4
RED 25/16 S	400	25	18	M36 X 2.0	39	32	46	30	20.3 x 2.4
RED 25/20 S	400	25	22	M36 X 2.0	39	32	46	36	20.3 x 2.4
RED 30/06 S	250	30	6	M42 X 2.0	44	41	50	17	25.3 x 2.4
RED 30/08 S	250	30	8	M42 X 2.0	44	41	50	19	25.3 x 2.4
RED 30/10 S	250	30	10	M42 X 2.0	43.5	41	50	22	25.3 x 2.4
RED 30/12 S	250	30	12	M42 X 2.0	43.5	41	50	24	25.3 x 2.4
RED 30/14 S	250	30	15	M42 X 2.0	45	41	50	27	25.3 x 2.4
RED 30/16 S	250	30	18	M42 X 2.0	44.5	41	50	30	25.3 x 2.4
RED 30/20 S	250	30	22	M42 X 2.0	44.5	41	50	36	25.3 x 2.4
RED 30/25 S	250	30	28	M42 X 2.0	45	41	50	46	25.3 x 2.4
RED 38/06 S	250	38	6	M52 X 2.0	47.5	50	60	17	33.3 x 2.4

RED 38/08 S	250	38	8	M52 X 2.0	47.5	50	60	19	33.3 x 2.4
RED 38/10 S	250	38	10	M52 X 2.0	47	50	60	22	33.3 x 2.4
RED 38/12 S	250	38	12	M52 X 2.0	47	50	60	24	33.3 x 2.4
RED 38/14 S	250	38	15	M52 X 2.0	48.5	50	60	27	33.3 x 2.4
RED 38/16 S	250	38	18	M52 X 2.0	48	50	60	30	33.3 x 2.4
RED 38/20 S	250	38	22	M52 X 2.0	48	50	60	36	33.3 x 2.4
RED 38/25 S	250	38	28	M52 X 2.0	48.5	50	60	46	33.3 x 2.4
RED 38/30 S	250	38	35	M52 X 2.0	49	50	60	50	33.3 x 2.4

Dimensions given approx.

fig. with tightened nut

Temp range without pressure reductions

for 'O' Ring sealing of NBR

(buna N- Std) -35° to +100° C,for FPM

(Viton - On request) -25° to +120° C.