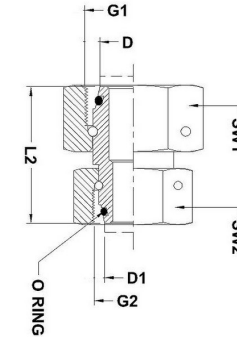
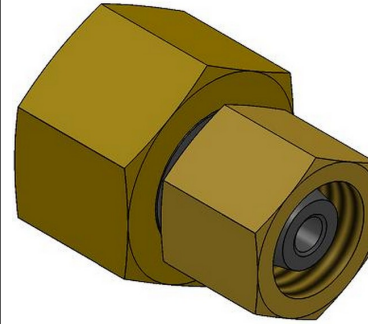




**HYDROMATIK**  
connections par excellence

## Metric Bite Type Fittings

### GZR - SWIVEL UNION REDUCER GZR |



Part No.	PN	Tube OD D	Tube OD D1	SW1	SW2	G1	G2
GZR 06 L/06 S	250	6	6	17	14	M14 X 1.5	M12 X 15
GZR 08/06 L	250	8	6	17	14	M14 X 1.5	M12 X 15
GZR 08 L/08 S	250	8	8	19	17	M16 X 1.5	M14 X 1.5
GZR 10/06 L	250	10	6	19	14	M16 X 1.5	M12 X 15
GZR 10/08 L	250	10	8	19	17	M16 X 1.5	M14 X 1.5
GZR 10 L/10 S	250	10	10	22	19	M18 X 1.5	M16 X 1.5
GZR 12/06 L	250	12	6	22	14	M18 X 1.5	M12 X 15
GZR 12/08 L	250	12	8	22	17	M18 X 1.5	M14 X 1.5
GZR 12/10 L	250	12	10	22	19	M18 X 1.5	M16 X 1.5
GZR 12 L/12 S	250	12	12	22	22	M20 X 1.5	M18 X 1.5
GZR 15/08 L	250	15	8	27	17	M22 X 1.5	M14 X 1.5
GZR 15/10 L	250	15	10	27	19	M22 X 1.5	M16 X 1.5
GZR 15/12 L	250	15	12	27	22	M22 X 1.5	M18 X 1.5
GZR 18/10 L	160	18	10	32	19	M26 X 1.5	M16 X 1.5

GZR 18/12 L	160	18	12	32	22	M26 X 1.5	M18 X 1.5
GZR 18/15 L	160	18	15	32	27	M26 X 1.5	M22 X 1.5
GZR 18 L/16 S	160	18	16	32	30	M26 X 1.5	M24 X 1.5
GZR 22/12 L	160	22	12	36	22	M30 X 2.0	M18 X 1.5
GZR 22/15 L	160	22	15	36	27	M30 X 2.0	M22 X 1.5
GZR 22/18 L	160	22	18	36	32	M30 X 2.0	M26 X 1.5
GZR 22 L/20 S	160	22	20	36	36	M30 X 2.0	M30 X 2.0
GZR 28/15 L	100	28	15	41	27	M36 X 2.0	M22 X 1.5
GZR 28/18 L	100	28	18	41	32	M36 X 2.0	M26 X 1.5
GZR 28/22 L	100	28	22	41	36	M36 X 2.0	M30 X 2.0
GZR 28 L/25 S	100	28	25	41	46	M36 X 2.0	M36 X 2.0
GZR 35/18 L	100	35	18	50	32	M45 X 2.0	M26 X 1.5
GZR 35/22 L	100	35	22	50	36	M45 X 2.0	M30 X 2.0
GZR 35/28 L	100	35	28	50	41	M45 X 2.0	M36 X 2.0
GZR 35 L/30 S	100	35	30	50	50	M45 X 2.0	M42 X 2.0
GZR 42/22 L	100	42	22	60	36	M52 X 2.0	M30 X 2.0
GZR 42/28 L	100	42	28	60	41	M52 X 2.0	M36 X 2.0
GZR 42/35 L	100	42	35	60	50	M52 X 2.0	M45 X 2.0
GZR 42 L/38 S	100	42	38	60	60	M52 X 2.0	M52 X 2.0
GZR 08/06 S	630	8	6	19	17	M16 X 1.5	M14 X 1.5
GZR 10/06 S	630	10	6	22	17	M18 X 1.5	M14 X 1.5
GZR 10/08 S	630	12	8	22	19	M18 X 1.5	M16 X 1.5
GZR 12/06 S	630	12	6	24	17	M20 X 1.5	M14 X 1.5

GZR 12/08 S	630	12	8	24	19	M20 X 1.5	M16 X 1.5
GZR 12/10 S	630	12	10	24	22	M20 X 1.5	M18 X 1.5
GZR 16/10 S	400	16	10	30	22	M24 X 1.5	M18 X 1.5
GZR 16/12 S	400	16	12	30	24	M24 X 1.5	M20 X 1.5
GZR 16 S/15 L	400	16	15	30	27	M24 X 1.5	M22 X 1.5
GZR 20/12 S	400	20	12	36	24	M30 X 2.0	M20 X 1.5
GZR 20/16 S	400	20	16	36	30	M30 X 2.0	M24 X 1.5
GZR 20 S/18 L	400	20	18	36	32	M30 X 2.0	M26 X 1.5
GZR 25/16 S	400	25	16	46	30	M36 X 2.0	M24 X 1.5
GZR 25/20 S	400	25	20	46	36	M36 X 2.0	M30 X 2.0
GZR 25 S/22 L	400	25	22	46	36	M36 X 2.0	M30 X 2.0
GZR 30/16 S	250	30	16	50	30	M42 X 2.0	M24 X 1.5
GZR 30/20 S	250	30	20	50	36	M42 X 2.0	M30 X 2.0
GZR 30/25 S	250	30	25	50	46	M42 X 2.0	M36 X 2.0
GZR 30 S/28 L	250	30	28	50	41	M42 X 2.0	M36 X 2.0
GZR 38/20 S	250	38	20	60	36	M52 X 2.0	M30 X 2.0
GZR 38/25 S	250	38	25	60	46	M52 X 2.0	M36 X 2.0
GZR 38/30 S	250	38	30	60	50	M52 X 2.0	M42 X 2.0
GZR 38 S/35 L	250	38	35	60	50	M52 X 2.0	M45 X 2.0

Dimensions given approx. fig. with tightened nut

Temp range without pressure reductions

for 'O' Ring sealing of NBR (buna N- Std) -35° to +100° C, for FPM

(Viton - On request) -25° to +120° C.