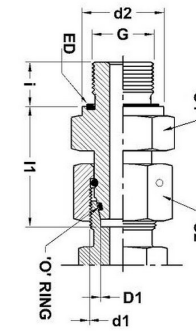
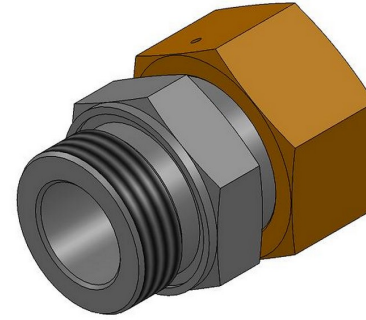




HYDROMATIK
connections par excellence

Metric Bite Type Fittings

EGE-M-ED - STRAIGHT STUD ADAPTOR WITH SWIVEL NUT EGE-M-ED |



Part No.	Series	Tube OD D1	d1	l1	i	S1	S2	d2	G	O' Ring
EGE 06-LM-ED	Light-250 Bar	6	M12 X 1.5	24.5	8	14	14	14	M10 X 1	4 X 1.5
EGE 08-LM-ED	Light-250 Bar	8	M14 X 1.5	29.5	12	19	17	19	M12 X 1.5	6 X 1.5
EGE 10-LM-ED	Light-250 Bar	10	M16 X 1.5	27.5	12	19	19	19	M14 X 1.5	7.5 X 1.5
EGE 12-LM-ED	Light-250 Bar	12	M18 X 1.5	34	12	22	22	22	M16 X 1.5	9 X 1.5
EGE 15-LM-ED	Light-250 Bar	15	M22 X 1.5	32	14	27	27	27	M18 X 1.5	12 X 2
EGE 18-LM-ED	Light-160 Bar	18	M26 X 1.5	31.5	14	27	32	27	M22 X 1.5	15 X 2
EGE 22-LM-ED	Light-160 Bar	22	M30 X 2.0	32.5	16	32	36	32	M26 X 1.5	20 X 2
EGE 28-LM-ED	Light-100 Bar	28	M36 X 2.0	35	18	41	41	40	M33 X 2.0	26 X 2
EGE 35-LM-ED	Light-100 Bar	35	M45 X 2.0	42.5	20	50	50	50	M42 X 2.0	32 X 2.5
EGE 42-LM-ED	Light-100 Bar	42	M52 X 2.0	46.5	22	55	60	55	M48 X 2.0	38 X 2.5
EGE 06-SM-ED	Heavy-630 Bar	6	M14 X 1.5	27	12	19	17	19	M12 X 1.5	4 X 1.5
EGE 08-SM-ED	Heavy-630 Bar	8	M16 X 1.5	29.5	12	19	19	19	M14 X 1.5	6 X 1.5

EGE 10-SM-ED	Heavy-630 Bar	10	M18 X 1.5	32	12	22	22	22	M16 X 1.5	7.5 X 1.5
EGE 12-SM-ED	Heavy-630 Bar	12	M20 X 1.5	34	12	22	24	22	M18 X 1.5	9 X 1.5
EGE 14-SM-ED	Heavy-630 Bar	14	M22 X 1.5	36.5	14	27	27	27	M20 X 1.5	10 X 2
EGE 16-SM-ED	Heavy-400 Bar	16	M24 X 1.5	37	14	27	30	27	M22 X 1.5	12 X 2
EGE 20-SM-ED	Heavy-400 Bar	20	M30 X 2.0	43	16	32	36	32	M27 X 2.0	16.3 X 2.4
EGE 25-SM-ED	Heavy-400 Bar	25	M36 X 2.0	48	18	41	46	40	M33 X 2.0	20.3 X 2.4
EGE 30-SM-ED	Heavy-250 Bar	30	M42 X 2.0	51	20	50	50	50	M42 X 2.0	25.3 X 2.4
EGE 38-SM-ED	Heavy-250 Bar	38	M52 X 2.0	60	22	55	60	55	M48 X 2.0	33.3 X 2.4

Dimensions given approx.,

fig. with tightened nut

Temp range without pressure reductions

for 'O' Ring sealing of NBR

(buna N- Std) -35Â° to +100Â° C, for FPM

(Viton - On request) -25Â° to +120Â° C.