

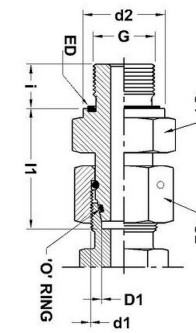
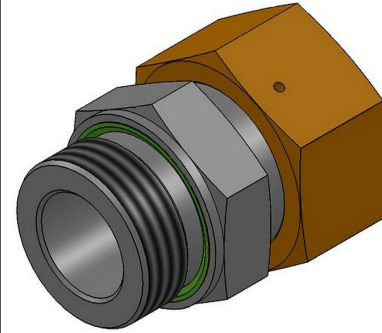


**HYDROMATIK**  
connections par excellence

## Metric Bite Type Fittings

### EGE-R-ED - STRAIGHT STUD ADAPTOR WITH SWIVEL NUT

EGE-R-ED |



Part No.	Series	Tube OD D1	d1	l1	i	S1	S2	d2	G	O' Ring
EGE 06-LR-ED	Light-250 Bar	6	M12 X 1.5	24.5	8	14	14	14	1/8	4 X 1.5
EGE 08-LR-ED	Light-250 Bar	8	M14 X 1.5	29.5	12	19	17	19	1/4	6 X 1.5
EGE 10-LR-ED	Light-250 Bar	10	M16 X 1.5	27.5	12	19	19	19	1/4	7.5 X 1.5
EGE 12-LR-ED	Light-250 Bar	12	M18 X 1.5	34	12	22	22	22	3/8	9 X 1.5
EGE 15-LR-ED	Light-250 Bar	15	M22 X 1.5	32	14	27	27	27	1/2	12 X 2
EGE 18-LR-ED	Light-160 Bar	18	M26 X 1.5	31.5	14	27	32	27	1/2	15 X 2
EGE 22-LR-ED	Light-160 Bar	22	M30 X 2.0	32.5	16	32	36	32	3/4	20 X 2
EGE 28-LR-ED	Light-100 Bar	28	M36 X 2.0	35	18	41	41	40	1	26 X 2
EGE 35-LR-ED	Light-100 Bar	35	M45 X 2.0	42.5	20	50	50	50	1 1/4	32 X 2.5
EGE 42-LR-ED	Light-100 Bar	42	M52 X 2.0	46.5	22	55	60	55	1 1/2	38 X 2.5
EGE 06-SR-ED	Heavy-630 Bar	6	M14 X 1.5	27	12	19	17	19	1/4	4 X 1.5
EGE 08-SR-ED	Heavy-630 Bar	8	M16 X 1.5	29.5	12	19	19	19	1/4	6 X 1.5

EGE 10-SR-ED	Heavy-630 Bar	10	M18 X 1.5	32	12	22	22	22	3/8	7.5 X 1.5
EGE 12-SR-ED	Heavy-630 Bar	12	M20 X 1.5	34	12	22	24	22	3/8	9 X 1.5
EGE 14-SR-ED	Heavy-630 Bar	14	M22 X 1.5	36.5	14	27	27	27	1/2	10 X 2
EGE 16-SR-ED	Heavy-400 Bar	16	M24 X 1.5	37	14	27	30	27	1/2	12 X 2
EGE 20-SR-ED	Heavy-400 Bar	20	M30 X 2.0	43	16	32	36	32	3/4	16.3 X 2.4
EGE 25-SR-ED	Heavy-400 Bar	25	M36 X 2.0	48	18	41	46	40	1	20.3 X 2.4
EGE 30-SR-ED	Heavy-250 Bar	30	M42 X 2.0	51	20	50	50	50	1 1/4	25.3 X 2.4
EGE 38-SR-ED	Heavy-250 Bar	38	M52 X 2.0	60	22	55	60	55	1 1/2	33.3 X 2.4

Dimensions given approx.,

fig. with tightened nut

Temp range without pressure reductions

for 'O' Ring sealing of NBR

(buna N- Std) -35° to +100° C, for FPM(Viton - On request) -25° to +120° C.