



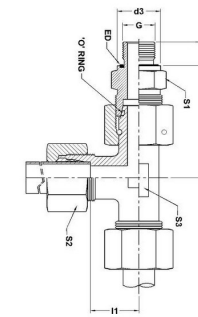
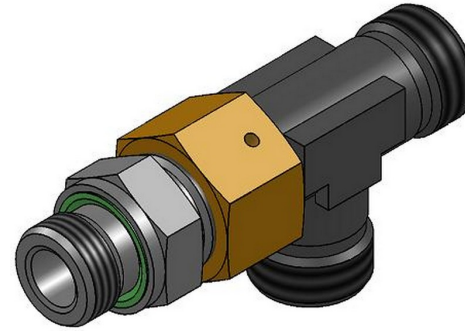
HYDROMATIK
connections par excellence

Metric Bite Type Fittings

EL -R/M ADJUSTABLE BARREL TEE WITH SWIVEL NUT EL

R

EL M | Male Thread: BSP / METRIC



R - Part No.	M - Part No.	Series	Tube OD	BSP Thread G	Metric Thread G	L1	L2	S1	S2	S3
EL 06-LR-ED	EL 06-LM-ED	Light-250 Bar	6	1/8	M10 X 1	12	34.5	14	14	12
EL 08-LR-ED	EL 08-LM-ED	Light-250 Bar	8	1/4	M12 X 1.5	14	37.5	19	17	12
EL 10-LR-ED	EL 10-LM-ED	Light-250 Bar	10	1/4	M14 X 1.5	15	40	19	19	14
EL 12-LR-ED	EL 12-LM-ED	Light-250 Bar	12	3/8	M16 X 1.5	17	42	22	22	17
EL 15-LR-ED	EL 15-LM-ED	Light-250 Bar	15	1/2	M18 X 1.5	21	46.5	27	27	19
EL 18-LR-ED	EL 18-LM-ED	Light-160 Bar	18	1/2	M22 X 1.5	23.5	50	27	32	24
EL 22-LR-ED	EL 22-LM-ED	Light-160 Bar	22	3/4	M26 X 1.5	27.5	55	32	36	27

EL 28-LR-ED	EL 28-LM-ED	Light-100 Bar	28	1	M33 X 2.0	30.5	59	41	41	36
EL 35-LR-ED	EL 35-LM-ED	Light-100 Bar	35	1 1/4	M42 X 2.0	34.5	68.5	50	50	41
EL 42-LR-ED	EL 42-LM-ED	Light-100 Bar	42	1 1/2	M48 X 2.0	40	75	55	60	50
EL 06-SR-ED	EL 06-SM-ED	Heavy-630 Bar	6	1/4	M12 X 1.5	16	40	19	17	12
EL 08-SR-ED	EL 08-SM-ED	Heavy-630 Bar	8	1/4	M14 X 1.5	17	42.5	19	19	14
EL 10-SR-ED	EL 10-SM-ED	Heavy-630 Bar	10	3/8	M16 X 1.5	17.5	45	22	22	17
EL 12-SR-ED	EL 12-SM-ED	Heavy-630 Bar	12	3/8	M18 X 1.5	21.5	48	22	24	17
EL 14-SR-ED	EL 14-SM-ED	Heavy-630 Bar	14	1/2	M20 X 1.5	22	54	27	27	19
EL 16-SR-ED	EL 16-SM-ED	Heavy-400 Bar	16	1/2	M22 X 1.5	24.5	55	27	30	24
EL 20-SR-ED	EL 20-SM-ED	Heavy-400 Bar	20	3/4	M27 X 2.0	26.5	65	32	36	27
EL 25-SR-ED	EL 25-SM-ED	Heavy-400 Bar	25	1	M33 X 2.0	30	73	41	46	36
EL 30-SR-ED	EL 30-SM-ED	Heavy-250 Bar	30	1 1/4	M42 X 2.0	35.5	78.5	50	50	41
EL 38-SR-ED	EL 38-SM-ED	Heavy-250 Bar	38	1 1/2	M48 X 2.0	41	89	55	60	50

Dimensions given approx.,

fig. with tightened nut

Temp range without pressure reductions

for 'O' Ring sealing of NBR

(buna N- Std) -35° to $+100^{\circ}$ C, for FPM

(Viton - On request) -25° to $+120^{\circ}$ C.