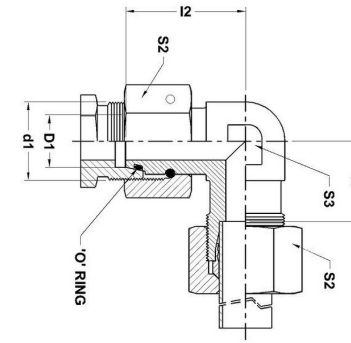
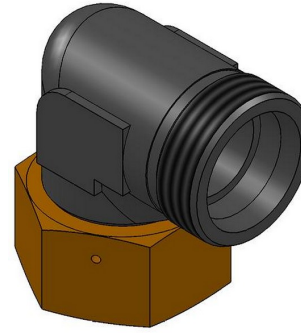




**HYDROMATIK**  
connections par excellence

## Metric Bite Type Fittings

### EW - ADJUSTABLE ELBOW WITH SWIVEL NUT EW |



Part No.	Series	Tube OD D1	d1	l1	l2	S2	S3	O' Ring
EW 06-L	Light-250 Bar	6	M12 X 15	12	26	14	12	4 X 1.5
EW 08-L	Light-250 Bar	8	M14 X 1.5	14	27.5	17	12	6 X 1.5
EW 10-L	Light-250 Bar	10	M16 X 1.5	15	29	19	14	7.5 X 1.5
EW 12-L	Light-250 Bar	12	M18 X 1.5	17	29.5	22	17	9 X 1.5
EW 15-L	Light-250 Bar	15	M22 X 1.5	21	32.5	27	19	12 X 2
EW 18-L	Light-160 Bar	18	M26 X 1.5	23.5	35.5	32	24	15 X 2
EW 22-L	Light-160 Bar	22	M30 X 2.0	27.5	38.5	36	27	20 X 2
EW 28-L	Light-100 Bar	28	M36 X 2.0	30.5	41.5	41	36	26 X 2
EW 35-L	Light-100 Bar	35	M45 X 2.0	34.5	51	50	41	32 X 2.5
EW 42-L	Light-100 Bar	42	M52 X 2.0	40	56	60	50	38 X 2.5
EW 06-S	Heavy-630 Bar	6	M14 X 1.5	16	27	17	12	4 X 1.5
EW 08-S	Heavy-630 Bar	8	M16 X 1.5	17	27.5	19	14	6 X 1.5
EW 10-S	Heavy-630 Bar	10	M18 X 1.5	17.5	30	22	17	7.5 X 1.5
EW 12-S	Heavy-630 Bar	12	M20 X 1.5	21.5	31	24	17	9 X 1.5

EW 14-S	Heavy-630 Bar	14	M22 X 1.5	22	35	27	19	10 X 2
EW 16-S	Heavy-400 Bar	16	M24 X 1.5	24.5	36.5	30	24	12 X 2
EW 20-S	Heavy-400 Bar	20	M30 X 2.0	26.5	44.5	36	27	16.3 X 2.4
EW 25-S	Heavy-400 Bar	25	M36 X 2.0	30	50	46	36	20.3 X 2.4
EW 30-S	Heavy-250 Bar	30	M42 X 2.0	35.5	55	50	41	25.3 X 2.4
EW 38-S	Heavy-250 Bar	38	M52 X 2.0	41	63	60	50	33.3 X 2.4

Dimensions given approx. fig. with tightened nut

Temp range without pressure reductions for 'O' Ring sealing of NBR (buna N- Std) -35° to +100° C, for FPM

(Viton - On request) -25° to +120° C.