

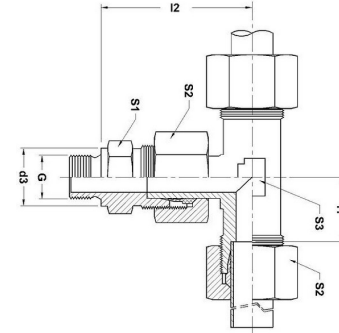
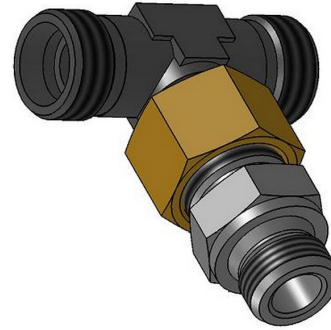


**HYDROMATIK**  
connections par excellence

## Metric Bite Type Fittings

### SBC - SWIVEL BRANCH TEE CONNECTOR SBC R

SBC M | Male Thread: BSP / METRIC



R - Part No.	M - Part No.	Series	Tube OD	BSP Thread G	Metric Thread G	l1	l2	S1	S2	S3
SBC 06-LR	SBC 06-LM	Light-250 Bar	6	1/8	M10 X 1	12	34.5	14	14	12
SBC 08-LR	SBC 08-LM	Light-250 Bar	8	1/4	M12 X 1.5	14	37.5	19	17	12
SBC 10-LR	SBC 10-LM	Light-250 Bar	10	1/4	M14 X 1.5	15	40	19	19	14
SBC 12-LR	SBC 12-LM	Light-250 Bar	12	3/8	M16 X 1.5	17	42	22	22	17
SBC 15-LR	SBC 15-LM	Light-250 Bar	15	1/2	M18 X 1.5	21	46.5	27	27	19
SBC 18-LR	SBC 18-LM	Light-160 Bar	18	1/2	M22 X 1.5	23.5	50	27	32	24
SBC 22-LR	SBC 22-LM	Light-160 Bar	22	3/4	M26 X 1.5	27.5	55	32	36	27
SBC 28-LR	SBC 28-LM	Light-100 Bar	28	1	M33 X 2.0	30.5	59	41	41	36

SBC 35-LR	SBC 35-LM	Light-100 Bar	35	1 1/4	M42 X 2.0	34.5	68.5	50	50	41
SBC 42-LR	SBC 42-LM	Light-100 Bar	42	1 1/2	M48 X 2.0	40	75	55	60	50
SBC 06-SR	SBC 06-SM	Heavy-630 Bar	6	1/4	M12 X 1.5	16	40	19	17	12
SBC 08-SR	SBC 08-SM	Heavy-630 Bar	8	1/4	M14 X 1.5	17	42.5	19	19	14
SBC 10-SR	SBC 10-SM	Heavy-630 Bar	10	3/8	M16 X 1.5	17.5	45	22	22	17
SBC 12-SR	SBC 12-SM	Heavy-630 Bar	12	3/8	M18 X 1.5	21.5	48	22	24	17
SBC 14-SR	SBC 14-SM	Heavy-630 Bar	14	1/2	M20 X 1.5	22	54	27	27	19
SBC 16-SR	SBC 16-SM	Heavy-400 Bar	16	1/2	M22 X 1.5	24.5	55	27	30	24
SBC 20-SR	SBC 20-SM	Heavy-400 Bar	20	3/4	M27 X 2.0	26.5	65	32	36	27
SBC 25-SR	SBC 25-SM	Heavy-400 Bar	25	1	M33 X 2.0	30	73	41	46	36
SBC 30-SR	SBC 30-SM	Heavy-250 Bar	30	1 1/4	M42 X 2.0	35.5	78.5	50	50	41
SBC 38-SR	SBC 38-SM	Heavy-250 Bar	38	1 1/2	M48 X 2.0	41	89	55	60	50

Dimensions given approx. fig. with tightened nut