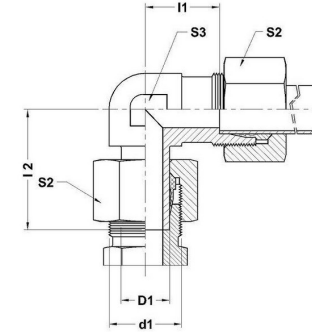
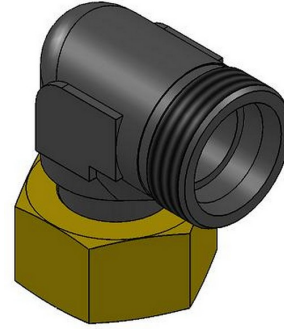




HYDROMATIK
connections par excellence

Metric Bite Type Fittings

SE - SWIVEL ELBOW SE |



Part No.	Series	Tube OD D1	d1	l1	l2	S2	S3
SE 06-L	Light-250 Bar	6	M12 X 15	12	26	14	12
SE 08-L	Light-250 Bar	8	M14 X 1.5	14	27.5	17	12
SE 10-L	Light-250 Bar	10	M16 X 1.5	15	29	19	14
SE 12-L	Light-250 Bar	12	M18 X 1.5	17	29.5	22	17
SE 15-L	Light-250 Bar	15	M22 X 1.5	21	33.5	27	19
SE 18-L	Light-160 Bar	18	M26 X 1.5	23.5	36	32	24
SE 22-L	Light-160 Bar	22	M30 X 2.0	27.5	39	36	27
SE 28-L	Light-100 Bar	28	M36 X 2.0	30.5	43.5	41	36
SE 35-L	Light-100 Bar	35	M45 X 2.0	34.5	54.5	50	41
SE 42-L	Light-100 Bar	42	M52 X 2.0	40	60	60	50
SE 06-S	Heavy-630 Bar	6	M14 X 1.5	16	27	17	12
SE 08-S	Heavy-630 Bar	8	M16 X 1.5	17	29	19	14
SE 10-S	Heavy-630 Bar	10	M18 X 1.5	17.5	32	22	17
SE 12-S	Heavy-630 Bar	12	M20 X 1.5	21.5	33	24	17

SE 14-S	Heavy-630 Bar	14	M22 X 1.5	22	36	27	19
SE 16-S	Heavy-400 Bar	16	M24 X 1.5	24.5	37.5	30	24
SE 20-S	Heavy-400 Bar	20	M30 X 2.0	26.5	44.5	36	27
SE 25-S	Heavy-400 Bar	25	M36 X 2.0	30	50.5	46	36
SE 30-S	Heavy-250 Bar	30	M42 X 2.0	35.5	56.5	50	41
SE 38-S	Heavy-250 Bar	38	M52 X 2.0	41	67.5	60	50

Dimensions given approx. fig. with tightened nut