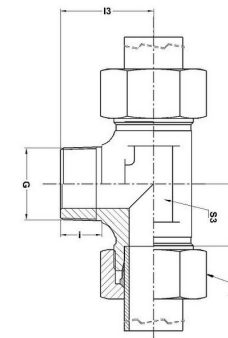
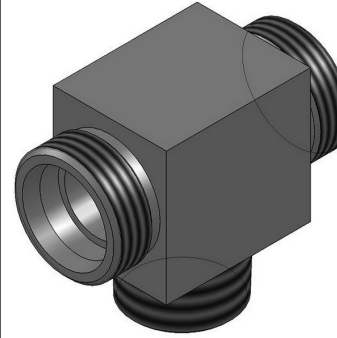




HYDROMATIK
connections par excellence

Metric Bite Type Fittings

MBT-B - TAPER MALE STUD BRANCH TEE MBT-B | Male
Stud Thread G - BSPT



Part No.	Series	Tube OD	S2	S3	l2	l3	i	G
MBT 06 BL	Light-250 Bar	6	14	12	12	20	10	G 1/8
MBT 08 BL	Light-250 Bar	8	17	12	14	28	14	G 1/4
MBT 10 BL	Light-250 Bar	10	19	14	15	27	14	G 1/4
MBT 12 BL	Light-250 Bar	12	22	17	17	29	14	G 3/8
MBT 15 BL	Light-250 Bar	15	27	19	21	36	16	G 1/2
MBT 18 BL	Light-160 Bar	18	32	24	23.5	36	16	G 1/2
MBT 06 BS	Heavy-630 Bar	6	17	12	16	27	14	G 1/4
MBT 08 BS	Heavy-630 Bar	8	19	14	17	27	14	G 1/4
MBT 10 BS	Heavy-630 Bar	10	22	17	17.5	28	14	G 3/8
MBT 12 BS	Heavy-630 Bar	12	24	17	21.5	30	14	G 3/8
MBT 14 BS	Heavy-400 Bar	14	27	19	22	34	16	G 1/2
MBT 16 BS	Heavy-400 Bar	16	30	24	24.5	36	16	G 1/2

Dimensions given approx. Fig. with tightened nut.