

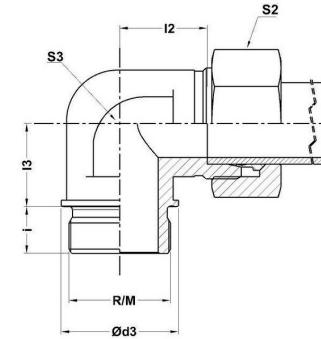


**HYDROMATIK**  
connections par excellence

## Metric Bite Type Fittings

### WE-R/M- MALE STUD ELBOW COUPLING WE-R

WE-M | BSP Threads Parallel Form 'A'; METRIC Threads Parallel Form 'B'



R - Part No.	M - Part No.	Series	Tube OD	d3	G	M	i	l2	l3	S3	S2
WE 06 LR	--	Light-250 Bar	6	14	1/8	--	8	12	12	14	14
WE 08 LR	--	Light-250 Bar	8	18.9	1/4	--	12	14	14	19	17
WE 10 LR	--	Light-250 Bar	10	18.9	1/4	--	12	15	15	19	19
WE 12 LR	--	Light-250 Bar	12	22	3/8	--	12	17	16	22	22
WE 15 LR	--	Light-250 Bar	15	26.9	1/2	--	14	21	20	27	27
WE 18 LR	--	Light-160 Bar	18	26.9	1/2	--	14	23.5	22	27	32
WE 22 LR	WE 22 LM	Light-160 Bar	22	32	3/4	M26 X 1.5	16	27.5	26	32	36

WE 28 LR	WE 28 LM	Light-100 Bar	28	40	1	M33 X 2.0	18	30.5	27.5	41	41
WE 35 LR	WE 35 LM	Light-100 Bar	35	49.9	1 1/4	M42 X 2.0	20	34.5	34	50	50
WE 42 LR	WE 42 LM	Light-100 Bar	42	55	1 1/2	M48 X 2.0	22	46	39	55	60
WE 06 SR	--	Heavy-630 Bar	6	19	1/4	--	12	16	14	19	17
WE 08 SR	--	Heavy-630 Bar	8	18.9	1/4	--	12	17	15	19	19
WE 10 SR	--	Heavy-630 Bar	10	22	3/8	--	12	17.5	16	22	22
WE 12 SR	--	Heavy-630 Bar	12	22	3/8	--	12	21.5	18	22	24
WE 14 SR	--	Heavy-630 Bar	14	26.9	1/2	--	14	22	20	27	27
WE 16 SR	--	Heavy-400 Bar	16	26.9	1/2	--	14	24.5	22	27	30
WE 20 SR	WE 20 SM	Heavy-400 Bar	20	32	3/4	M27 X 2.0	16	26.5	26	32	36
WE 25 SR	WE 25 SM	Heavy-400 Bar	25	39.9	1	M33 X 2.0	18	30	30	41	46
WE 30 SR	WE 30 SM	Heavy-250 Bar	30	49.9	1 1/4	M42 X 2.0	20	35.5	34	50	50
WE 38 SR	WE 38 SM	Heavy-250 Bar	38	55	1 1/2	M48 X 2.0	22	41	39	55	60

Dimensions given approx. fig. with tightened nut