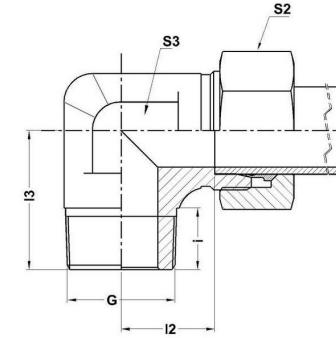
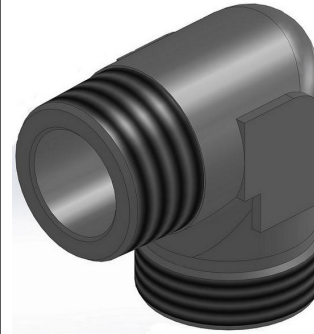




HYDROMATIK
connections par excellence

Metric Bite Type Fittings

WE-N - STRAIGHT MALE STUD COUPLING WE-N | Male
Stud Thread G - NPT



Part No.	Series	Tube OD	l3	i	l2	S3	S2	G
WE 06 NL	Light-250 Bar	6	20	10	12	12	14	G 1/8-27
WE 08 NL	Light-250 Bar	8	26	15	14	14	17	G 1/4-18
WE 10 NL	Light-250 Bar	10	28	15.1	17	17	19	G 3/8-18
WE 12 NL	Light-250 Bar	12	28	15.1	17	17	22	G 3/8-18
WE 15 NL	Light-250 Bar	15	34	20	21	19	27	G 1/2-14
WE 18 NL	Light-160 Bar	18	36	20	23.5	24	32	G 1/2-14
WE 22 NL	Light-160 Bar	22	42	20.5	27.5	27	36	G 3/4-14
WE 28 NL	Light-100 Bar	28	48	25	30.5	36	41	G 1-11.5
WE 35 NL	Light-100 Bar	35	54	26	34.5	41	50	G 1 1/4-11.5
WE 42 NL	Light-100 Bar	42	61	26	46	50	60	G 1 1/2-11.5
WE 06 NS	Heavy-630 Bar	6	26	15	16	12	17	G 1/4-18
WE 08 NS	Heavy-630 Bar	8	27	15	17	14	19	G 1/4-18
WE 10 NS	Heavy-630 Bar	10	28	15.1	17.5	17	22	G 3/8-18
WE 12 NS	Heavy-630 Bar	12	28	15.1	21.5	17	24	G 3/8-18

WE 14 NS	Heavy-630 Bar	14	34	20	22	19	27	G 1/2-14
WE 16 NS	Heavy-400 Bar	16	36	20	24.5	24	30	G 1/2-14
WE 20 NS	Heavy-400 Bar	20	42	20.5	26.5	27	36	G 3/4-14
WE 25 NS	Heavy-400 Bar	25	48	25	30	36	46	G 1-11.5
WE 30 NS	Heavy-250 Bar	30	54	26	35.5	41	50	G 1 1/4-11.5
WE 38 NS	Heavy-250 Bar	38	61	26	41	50	60	G 1 1/2-11.5

Dimensions given approx. Fig. with tightened nut.

Part No. Given refers to complete assembly - Steel Part