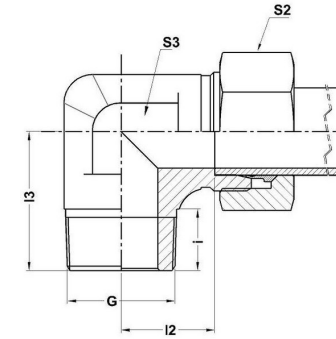




**HYDROMATIK**  
connections par excellence

## Metric Bite Type Fittings

**WE-B - Tater Male Stud Elbow WE-B** | Male Stud Thread G - BSPT



Part No.	Series	Tube OD	S2	S3	l2	l3	i	G
WE 06 BL	Light-250 Bar	6	14	12	12	20	10	G 1/8
WE 08 BL	Light-250 Bar	8	17	14	14	27	14	G 1/4
WE 10 BL	Light-250 Bar	10	19	17	17	28	14.1	G 3/8
WE 12 BL	Light-250 Bar	12	22	17	17	28	14.1	G 3/8
WE 15 BL	Light-250 Bar	15	27	19	21	34	16	G 1/2
WE 18 BL	Light-160 Bar	18	32	24	22	36	16	G 1/2
WE 06 BS	Heavy-600 Bar	6	17	14	16	26	14	G 1/4
WE 08 BS	Heavy-600 Bar	8	19	17	17	27	14	G 1/4
WE 10 BS	Heavy-600 Bar	10	22	17	18	28	14.1	G 3/8
WE 12 BS	Heavy-600 Bar	12	24	22	21.5	28	14.1	G 3/8
WE 14 BS	Heavy-400 Bar	14	27	19	22	32	16	G 1/2
WE 16 BS	Heavy-400 Bar	16	30	24	24.5	36	16	G 1/2

Dimensions given approx. Fig. with tightened nut.

Part No. Given referes to complete assembly - Steel Part