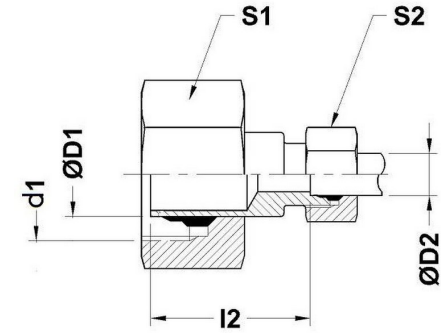
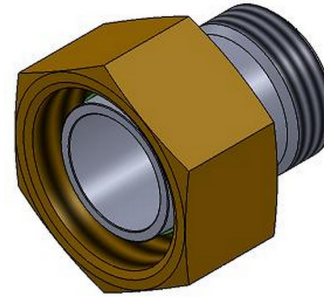




**HYDROMATIK**  
connections par excellence

## Metric Bite Type Fittings

### KOR - REDUCTION SLEEVE <br/>Series-S Series - S |



Part No.	PN	D1	D2	d1	l2	S1	S2
KOR 08/06 S	630	8	6	M16 X 1.5	27	19	17
KOR 10/06 S	630	10	6	M18 X 1.5	27.5	22	17
KOR 10/08 S	630	10	8	M18 X 1.5	27.5	22	19
KOR 12/06 S	630	12	6	M20 X 1.5	29	24	17
KOR 12/08 S	630	12	8	M20 X 1.5	29	24	19
KOR 12/10 S	630	12	10	M20 X 1.5	29.5	24	22
KOR 14/06 S	400	14	6	M22 X 1.5	31.5	27	17
KOR 14/08 S	400	14	8	M22 X 1.5	31.5	27	19
KOR 14/10 S	400	14	10	M22 X 1.5	31	27	22
KOR 14/12 S	400	14	12	M22 X 1.5	31	27	24
KOR 16/06 S	400	16	6	M24 X 1.5	32	30	17
KOR 16/08 S	400	16	8	M24 X 1.5	32	30	19
KOR 16/10 S	400	16	10	M24 X 1.5	31.5	30	22
KOR 16/12 S	400	16	12	M24 X 1.5	31.5	30	24
KOR 16/14 S	400	16	15	M24 X 1.5	33	30	27

KOR 20/06 S	400	20	6	M30 X 2.0	36	36	17
KOR 20/08 S	400	20	8	M30 X 2.0	36	36	19
KOR 20/10 S	400	20	10	M30 X 2.0	35.5	36	22
KOR 20/12 S	400	20	12	M30 X 2.0	35.5	36	24
KOR 20/14 S	400	20	15	M30 X 2.0	37	36	27
KOR 20/16 S	400	20	18	M30 X 2.0	36.5	36	30
KOR 25/06 S	400	25	6	M36 X 2.0	38.5	46	17
KOR 25/08 S	400	25	8	M36 X 2.0	38.5	46	19
KOR 25/10 S	400	25	10	M36 X 2.0	38	46	22
KOR 25/12 S	400	25	12	M36 X 2.0	38	46	24
KOR 25/14 S	400	25	15	M36 X 2.0	39.5	46	27
KOR 25/16 S	400	25	18	M36 X 2.0	39	46	30
KOR 25/20 S	400	25	22	M36 X 2.0	39	46	36
KOR 30/06 S	250	30	6	M42 X 2.0	44	50	17
KOR 30/08 S	250	30	8	M42 X 2.0	44	50	19
KOR 30/10 S	250	30	10	M42 X 2.0	43.5	50	22
KOR 30/12 S	250	30	12	M42 X 2.0	43.5	50	24
KOR 30/14 S	250	30	15	M42 X 2.0	45	50	27
KOR 30/16 S	250	30	18	M42 X 2.0	44.5	50	30
KOR 30/20 S	250	30	22	M42 X 2.0	44.5	50	36
KOR 30/25 S	250	30	28	M42 X 2.0	45	50	46
KOR 38/06 S	250	38	6	M52 X 2.0	47.5	60	17
KOR 38/08 S	250	38	8	M52 X 2.0	47.5	60	19

KOR 38/10 S	250	38	10	M52 X 2.0	47	60	22
KOR 38/12 S	250	38	12	M52 X 2.0	47	60	24
KOR 38/14 S	250	38	15	M52 X 2.0	48.5	60	27
KOR 38/16 S	250	38	18	M52 X 2.0	48	60	30
KOR 38/20 S	250	38	22	M52 X 2.0	48	60	36
KOR 38/25 S	250	38	28	M52 X 2.0	48.5	60	46
KOR 38/30 S	250	38	35	M52 X 2.0	49	60	50

Dimensions given approx. fig. with tightened nut