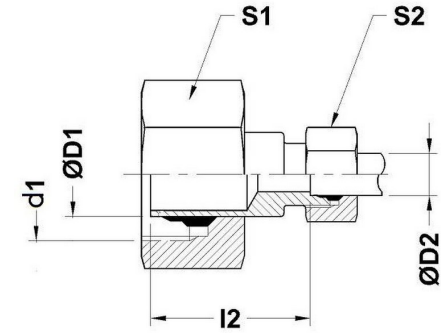
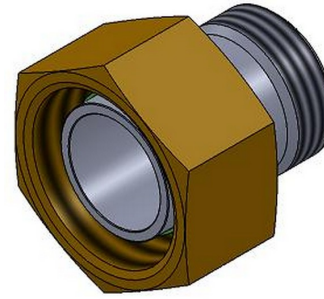




HYDROMATIK
connections par excellence

Metric Bite Type Fittings

KOR - REDUCTION SLEEVE
Series-L Series - L |



Part No.	PN	D1	D2	d1	l2	S1	S2
KOR 08/06 L	250	8	6	M14 X 1.5	23.5	17	14
KOR 10/06 L	250	10	6	M16 X 1.5	25	19	14
KOR 10/08 L	250	10	8	M16 X 1.5	25	19	17
KOR 12/06 L	250	12	6	M18 X 1.5	25	22	14
KOR 12/08 L	250	12	8	M18 X 1.5	25	22	17
KOR 12/10 L	250	12	10	M18 X 1.5	26	22	19
KOR 15/06 L	250	15	6	M22 X 1.5	28.5	27	14
KOR 15/08 L	250	15	8	M22 X 1.5	28.5	27	17
KOR 15/10 L	250	15	10	M22 X 1.5	29.5	27	19
KOR 15/12 L	250	15	12	M22 X 1.5	29.5	27	22
KOR 18/06 L	160	18	6	M26 X 1.5	28	32	14
KOR 18/08 L	160	18	8	M26 X 1.5	28	32	17
KOR 18/10 L	160	18	10	M26 X 1.5	29	32	19
KOR 18/12 L	160	18	12	M26 X 1.5	29	32	22
KOR 18/15 L	160	18	15	M26 X 1.5	30	32	27

KOR 22/06 L	160	22	6	M30 X 2.0	32	36	14
KOR 22/08 L	160	22	8	M30 X 2.0	32	36	17
KOR 22/10 L	160	22	10	M30 X 2.0	33	36	19
KOR 22/12 L	160	22	12	M30 X 2.0	33	36	22
KOR 22/15 L	160	22	15	M30 X 2.0	34	36	27
KOR 22/18 L	160	22	18	M30 X 2.0	33.5	36	32
KOR 28/06 L	100	28	6	M36 X 2.0	34	41	14
KOR 28/08 L	100	28	8	M36 X 2.0	34	41	17
KOR 28/10 L	100	28	10	M36 X 2.0	35	41	19
KOR 28/12 L	100	28	12	M36 X 2.0	35	41	22
KOR 28/15 L	100	28	15	M36 X 2.0	36	41	27
KOR 28/18 L	100	28	18	M36 X 2.0	35.5	41	32
KOR 28/22 L	100	28	22	M36 X 2.0	37.5	41	36
KOR 35/06 L	100	35	6	M45 X 2.0	37	50	14
KOR 35/08 L	100	35	8	M45 X 2.0	37	50	17
KOR 35/10 L	100	35	10	M45 X 2.0	38	50	19
KOR 35/12 L	100	35	12	M45 X 2.0	38	50	22
KOR 35/15 L	100	35	15	M45 X 2.0	39	50	27
KOR 35/18 L	100	35	18	M45 X 2.0	38.5	50	32
KOR 35/22 L	100	35	22	M45 X 2.0	40.5	50	36
KOR 35/28 L	100	35	28	M45 X 2.0	40.5	50	41
KOR 42/06 L	100	42	6	M52 X 2.0	40.5	60	14
KOR 42/08 L	100	42	8	M52 X 2.0	40.5	60	17

KOR 42/10 L	100	42	10	M52 X 2.0	41.5	60	19
KOR 42/12 L	100	42	12	M52 X 2.0	41.5	60	22
KOR 42/15 L	100	42	15	M52 X 2.0	42.5	60	27
KOR 42/18 L	100	42	18	M52 X 2.0	42	60	32
KOR 42/22 L	100	42	22	M52 X 2.0	44	60	36
KOR 42/28 L	100	42	28	M52 X 2.0	44	60	41
KOR 42/35 L	100	42	35	M52 X 2.0	43	60	50

Dimensions given approx. fig. with tightened nut