

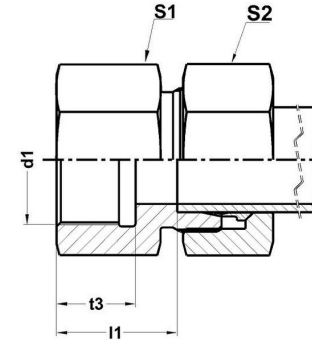
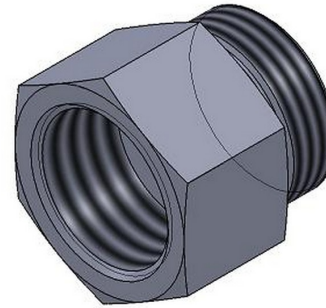


HYDROMATIK
connections par excellence

Metric Bite Type Fittings

FSC-R - STRAIGHT FEMALE STUD COUPLING FSC-R |

Female Thread: BSP



Part No.	Series	Tube OD	Conn. BSP Thread d1	l1	t3	S1	S2
FSC 06 LR	Light-250 Bar	6	1/8	19	12	14	14
FSC 08 LR	Light-250 Bar	8	1/4	24	17	19	17
FSC 08 LR	Light-250 Bar	8	3/8	25	17	24	17
FSC 08 LR	Light-250 Bar	8	1/2	29	20	27	17
FSC 10 LR	Light-250 Bar	10	1/4	25	17	19	19
FSC 10 LR	Light-250 Bar	10	3/8	26	17	24	19
FSC 10 LR	Light-250 Bar	10	1/2	30	20	27	19
FSC 12 LR	Light-250 Bar	12	3/8	26	17	24	22
FSC 12 LR	Light-250 Bar	12	1/2	30	20	27	22
FSC 15 LR	Light-250 Bar	15	1/2	31	20	27	27
FSC 18 LR	Light-160 Bar	18	1/2	30.5	20	27	32
FSC 22 LR	Light-160 Bar	22	3/4	35.5	22	36	36
FSC 28 LR	Light-100 Bar	28	1	38	24.5	41	41

FSC 35 LR	Light-100 Bar	35	1 1/4	41	26.5	55	50
FSC 42 LR	Light-100 Bar	42	1 1/2	42.5	28.5	60	60
FSC 06 SR	Heavy-630 Bar	6	1/4	26	17	19	17
FSC 08 SR	Heavy-630 Bar	8	1/4	26	17	19	19
FSC 10 SR	Heavy-630 Bar	10	3/8	26.5	17	24	22
FSC 12 SR	Heavy-630 Bar	12	3/8	26.5	17	24	24
FSC 14 SR	Heavy-400 Bar	14	1/2	32	20	30	27
FSC 16 SR	Heavy-400 Bar	16	1/2	31.5	20	30	30
FSC 20 SR	Heavy-400 Bar	20	3/4	34.5	22	36	36
FSC 25 SR	Heavy-400 Bar	25	1	37.5	24.5	41	46
FSC 30 SR	Heavy-250 Bar	30	1 1/4	42	26.5	55	50
FSC 38 SR	Heavy-250 Bar	38	1 1/2	43.5	28.5	60	60

Dimensions given approx. Fig. with tightened nut.

Part No. Given referes to complete assembly - Steel Part