

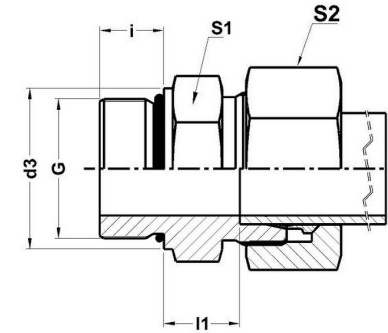


HYDROMATIK
connections par excellence

Metric Bite Type Fittings

GE-UNF/UN- STRAIGHT MALE STUD COUPLING GE-UNF/UN

| Male Stud Threads: UN/UNF with 'O' Ring Sealing



Part No.	Series	Tube OD	G	d3	i	l1	S1	S2	O' Ring
GE 08-LR-7/16-20 UNF	Light-250 Bar	8	7/16-20 UNF	14.4	9	10	17	17	8.92 X 1.83
GE 10-LR-7/16-20 UNF	Light-250 Bar	10	7/16-20 UNF	14.4	9	11	17	19	8.92 X 1.83
GE 12-LR-9/16-18 UNF	Light-250 Bar	12	9/16-18 UNF	17.6	10	11	19	22	11.9 X 1.98
GE 12-LR-3/4-16 UNF	Light-250 Bar	12	3/4-16 UNF	22.3	11	13	24	22	16.36 X 2.2
GE 12-LR-7/8-14 UNF	Light-250 Bar	12	7/8-14 UNF	25.5	12.7	14.3	27	22	19.18 X 2.46
GE 15-LR-3/4-16 UNF	Light-250 Bar	15	3/4-16 UNF	22.3	11	14	24	27	16.36 X 2.2
GE 18-LR-3/4-16 UNF	Light-160 Bar	18	3/4-16 UNF	22.3	11	14	27	32	16.36 X 2.2
GE 18-LR-7/8-14 UNF	Light-160 Bar	18	7/8-14 UNF	25.5	12.7	14.8	27	32	19.18 X 2.46
GE 22-LR-7/8-14 UNF	Light-160 Bar	22	7/8-14 UNF	25.5	12.7	16.8	32	36	19.18 X 2.46
GE 22-LR-1.1/16-12 UN	Light-160 Bar	22	1.1/16-12 UN	31.9	15	16.5	32	36	23.47 X 2.95
GE 22-LR-1.5/16-12 UN	Light-160 Bar	22	1.5/16-12 UN	38.2	15	17.5	41	36	29.74 X 2.95
GE 28-LR-1.1/16-12 UN	Light-100 Bar	28	1.1/16-12 UN	31.9	15	17.5	41	41	23.47 X 2.95
GE 28-LR-1.5/16-12 UN	Light-100 Bar	28	1.5/16-12 UN	38.2	15	17.5	41	41	29.74 X 2.95
GE 35-LR-1.5/16-12 UN	Light-100 Bar	35	1.5/16-12 UN	38.2	15	17.5	46	50	29.74 X 2.95

GE 35-LR-1.5/8-12 UN	Light-100 Bar	35	1.5/8-12 UN	47.7	15	17.5	50	50	37.46 X 3
GE 42-LR-1.5/8-12 UN	Light-100 Bar	42	1.5/8-12 UN	47.7	15	19	55	60	37.46 X 3
GE 08-SR-7/16-20 UNF	Heavy-630 Bar	8	7/16-20 UNF	14.4	9	15	17	19	8.92 X 1.83
GE 10-SR-9/16-18 UNF	Heavy-630 Bar	10	9/16-18 UNF	17.6	10	14.5	19	22	11.9 X 1.98
GE 12-SR-9/16-18 UNF	Heavy-630 Bar	12	9/16-18 UNF	17.6	10	14.5	22	24	11.9 X 1.98
GE 12-SR-3/4-16 UNF	Heavy-630 Bar	12	3/4-16 UNF	22.3	11	17.5	24	24	16.36 X 2.2
GE 16-SR-3/4-16 UNF	Heavy-400 Bar	16	3/4-16 UNF	22.3	11	15.5	24	30	16.36 X 2.2
GE 16-SR-7/8-14 UNF	Heavy-400 Bar	16	7/8-14 UNF	25.5	12.7	18.8	27	30	19.18 X 2.46
GE 20-SR-3/4-16 UNF	Heavy-400 Bar	20	3/4-16 UNF	22.3	11	20.5	32	36	16.36 X 2.2
GE 20-SR-7/8-14 UNF	Heavy-400 Bar	20	7/8-14 UNF	25.5	12.7	20.8	32	36	19.18 X 2.46
GE 20-SR-1.1/16-12 UN	Heavy-400 Bar	20	1.1/16-12 UN	31.9	15	20.5	32	36	23.47 X 2.95
GE 25-SR-1.1/16-12 UN	Heavy-400 Bar	25	1.1/16-12 UN	31.9	15	19	36	49	23.47 X 2.95
GE 25-SR-1.5/16-12 UN	Heavy-400 Bar	25	1.5/16-12 UN	38.2	15	19	41	46	29.74 X 2.95
GE 30-SR-1.5/16-12 UN	Heavy-100 Bar	30	1.5/16-12 UN	38.2	15	20.5	46	50	29.74 X 2.95
GE 30-SR-1.5/8-12 UN	Heavy-100 Bar	30	1.5/8-12 UN	47.7	15	22.5	50	50	37.46 X 3
GE 38-SR-1.5/8-12 UN	Heavy-100 Bar	38	1.5/8-12 UN	47.7	15	26	55	60	37.46 X 3

Dimensions given approx. Fig. with tightened nut.

Part No. Given refers to complete assembly - Steel Part